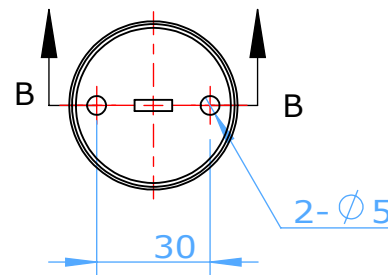


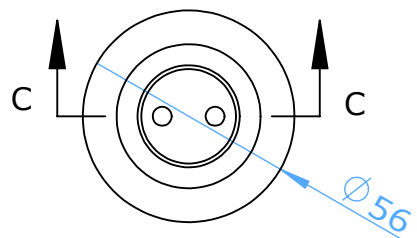
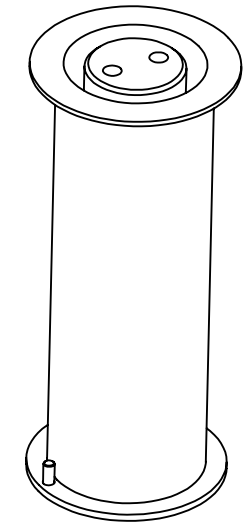
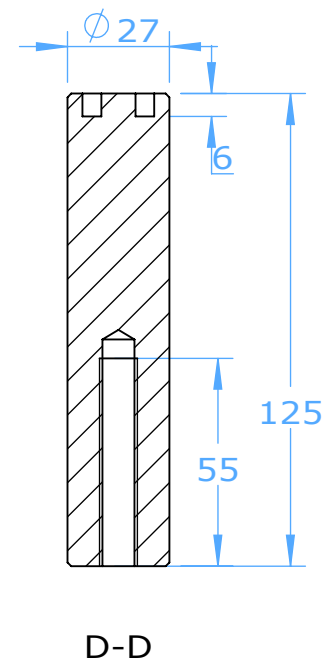
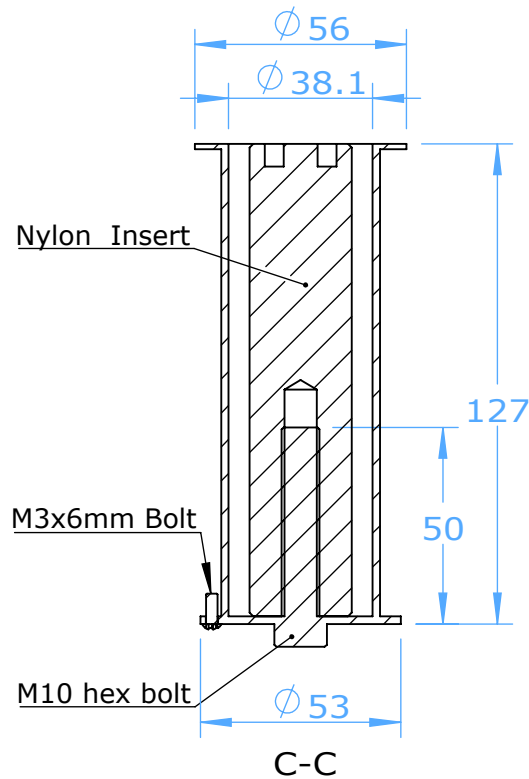
**Deck Hole Anchor**



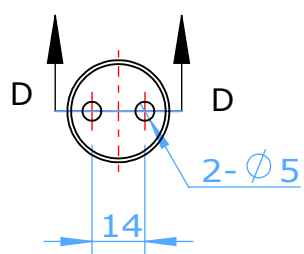
**Nylon Insert**

**SPECIFICATIONS:**

- Materials: SS316 & Nylon
- Overall Dimensions:  $\phi 67.5\text{mm} \times 127\text{mm}$
- Actual Weight: 0.54KG
- Volume:  $0.001\text{m}^3$



**Deck Hole Anchor**



**Nylon Insert**

**SPECIFICATIONS:**

- Materials: SS316 & Nylon
- Overall Dimensions:  $\phi 56\text{mm} \times 127\text{mm}$
- Actual Weight: 0.3KG
- Volume:  $0.001\text{m}^3$

Project Name: Deck Hole anchor				Product Name: Deck Hole anchor 38.1mm				Project No.	AWE031	Product No.	
Drawn	Brian	Scale	1:2	Patents	2001285610; 7100219; 4048677; 01818714.5 & 2003/2920 e.g.			Drawn Date	2015/10/22	Verify Date	