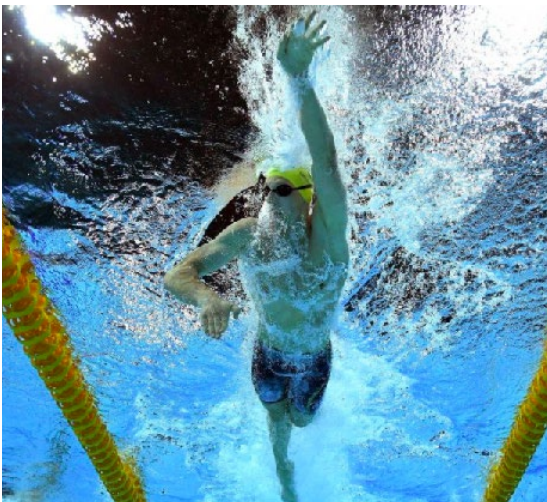


anti[®]

ANTI WAVE - SINCE MUNICH 1972
SWIM • POLO • POOL DECK • LEISURE • BULKHEAD



#FINAPERTH2019 #WPW



Anti Wave Global Pty Ltd
2024 Catalogue

Global Aquatics Excellence for over 50 years



Anti Wave has over 50 years of excellence in the innovation, design and supply of top performance aquatic equipment technologies around the world.

Specialists in complete pool fit-outs for competition and training facilities.



Widest global availability and distribution



World leading durability and product quality, original innovative designs, highest specification



Over 50 years of Industry leading product innovation and development



Compliant with World Aquatics regulations



Comprehensive global network of Authorised Resellers and Distributors ensure best service



Designed and tested to tough Australian conditions for ultimate reliability

CONTENTS

PAGE

COMPANY INFO



4

SELECTED FOR

5

RACING LANES



7

LANE FITTINGS



12

POOL DECK EQUIPMENT



13

STARTING BLOCKS AND FITTINGS



20

OVERFLOW GRATINGS



27

WATER POLO



30

FRP BULKHEADS & ENDWALLS



49

SUBMERSIBLE SWIMWALLS



50

ENDWALLS



51

LEISURE



54

COMPANY AND ORDERING INFO

57



Anti Wave®

Excellent in aquatics since 1972.

When performance counts... pools choose Anti Wave equipment.

Anti Wave are the original specialists in complete pool fit-outs for top performance competition and training aquatic facilities around the world.

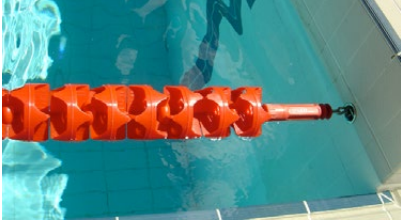
Anti Wave has been the world leader in the design and manufacture of aquatic technologies since 1972, when Anti Wave first supplied competition swimming and polo equipment to the Munich Olympic Games venue.

Today, our range of top performance aquatic solutions are the result of over 50 years of product innovation, development and supply around the world and the Anti Wave brand is recognised around the world for highest levels of quality, durability and practicality.

We work closely with top swimming and water polo athletes and coaches around the world to stay ahead of the pack when it comes to product development and improvement.

Key products include the world renowned Anti Wave Racing Lanes, Starting Blocks, Water Polo Goals, Polo Field of Play equipment, as well as a full range of Swimming, Water Polo, Pool Deck and Pool Programming Equipment.

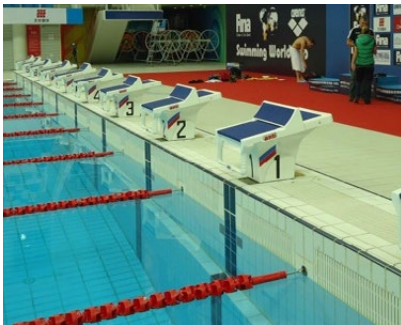
Anti Wave products are designed and tested in Australia and produced to the highest specifications - to withstand even the harshest climates and conditions found on many pools around the world.



Anti Wave Maxi Racing Lanes with SuperTensioner



South East Asian Games Venue, Clark City, 2019 Swim and Polo Fitout



Anti Wave MAXI Racing Lanes with SuperBlock 800, FINA Event



Anti Wave Global Pty Ltd

Anti Wave Global Pty Ltd
Brisbane, Australia
Web: www.anti.to
Email : info@anti.to
Mobile : +61 424 173 625

Anti Wave holds the following international Patents:
2001285610, 7100219, 4048677, 01818714 and 2003/2920

Anti Wave has a comprehensive global network of Authorised Distributors and Resellers, ensuring the best possible availability and service.

To find your closest Reseller please visit:
www.anti.to, or email info@anti.to



© 2024 Anti Wave Global. All rights reserved.

When performance counts:

- | | | | |
|------|--|------|--|
| 1972 | Munich Olympics—Germany | 2010 | Commonwealth Games - Delhi- India |
| 1973 | World Championships Belgrade—Jugoslavia | 2010 | FINA World Cup Beijing - Beijing WaterCube - China |
| 1974 | Asian Games Teheran—Iran | 2010 | FINA World Cup Singapore - Singapore |
| 1975 | World Championships Cali—Colombia | 2010 | First Youth Olympic Games, Singapore |
| 1976 | Montreal Olympics—Canada | 2011 | Southeast Asian Games, Indonesia |
| 1976 | World Championships Berlin—Germany | 2011 | FINA World Cup 2011, Singapore |
| 1978 | Asian Games Bangkok—Thailand | 2011 | FINA World Cup 2011, Beijing Water Cube - China |
| 1979 | Pan-American Games—Puerto Rico | 2012 | FINA World Cup Singapore - Singapore |
| 1980 | Moscow Olympics—Russia | 2012 | FINA World Cup, Beijing Water Cube - China |
| 1981 | Olympic Pool Taipei - Taiwan | 2012 | London 2012 Olympic Games, London. |
| 1982 | Commonwealth Games Brisbane - Australia | 2013 | Myanmar- SE ASIAN GAMES - Equipment and Bulkhead |
| 1983 | Olympic Indoor Pool Vancouver—Canada | 2014 | Glasgow Commonwealth Games, Scotland, UK |
| 1984 | Los Angeles Olympics—USA | 2014 | Asian Games, Incheon, South Korea |
| 1985 | Olympic Pool Tokyo—Japan | 2015 | FINA World Cup 2015, Beijing China (September) |
| 1986 | European Championship Bonn—Germany | 2015 | FINA World Cup 2015, Singapore (October) |
| 1987 | Fortitude Valley Pool Brisbane—Australia | 2016 | Doha Aspire Complex, Doha, Qatar |
| 1988 | City Bath Rotorua—New Zealand | 2016 | China Nat. Swimming Championships, Road to Rio Olympics |
| 1988 | Superdrome Perth—Australia | 2016 | Australian Swimming Championships, Brisbane, Australia |
| 1988 | Seoul Olympics—South Korea | 2016 | FINA World Cup 2016, Singapore |
| 1988 | International Aquatic Centre Amersfoort—Netherlands | 2016 | FINA World Cup, Beijing, China |
| 1988 | University Recreation Centre Sydney— Australia | 2017 | 2017 South East Asian Games Venue, Kualur Lumpur, Malaysia |
| 1989 | Kilbernie Aquatic Centre Wellington - New Zealand | 2017 | 29th Summer Universiade, Taipei, Taiwan |
| 1989 | Blackall Regional Aquatic Centre—Australia | 2017 | FINA World Cup 2017, Beijing, China |
| 1990 | Seattle Goodwill Games—USA | 2017 | FINA World Cup 2017, Singapore |
| 1991 | World Championships Perth—Australia | 2018 | FINA World Cup 2018, Singapore |
| 1992 | UNESCO Ford Price Award for Ecological Venue | 2018 | FINA World Cup 2018, Beijing, China |
| 1993 | New Plymouth Leisure Complex—NewZealand | 2018 | 2018 Commonwealth Games Venue, Gold Coast, Australia |
| 1994 | Sydney Olympics 2000 Aquatic Complex— Australia | 2018 | 2018 FINA World League Inter-Continental Water Polo Venue |
| 1994 | Aquatic Centre Warringah—Australia | 2018 | Pan Pacific Youth Water Polo Championships, NZ |
| 1995 | International Aquatic Centre Penang—Malaysia | 2018 | Australian Youth Water Polo Championships, AUS |
| 1996 | Melbourne International Aquatic Centre—Australia | 2018 | Australian Swimming Championships, Brisbane, AUS |
| 1996 | Albany Creek Aquatic Centre Pine Rivers— Australia | 2019 | Hamad Aquatic Centre, Dubai UAE |
| 1996 | Somerville House Sports Centre Brisbane— Australia | 2019 | FINA World League Inter-Continental Cup, Perth, AUS |
| 1997 | Australian Championships Brisbane—Australia | 2019 | FINA SE Asian Age Champs, Clark City, PHL |
| 1997 | Aquatic Centre Invercargill—New Zealand | 2019 | FINA World Junior Men's Water Polo Championships, Kuwait |
| 1998 | World Championships Perth—Australia | 2021 | Official Polo Field and Goals of USA Water Polo, USA |
| 1998 | Goodwill Games New York—USA | 2021 | Australian Swimming Championships, Gold Coast, Australia |
| 1998 | Commonwealth Games Kuala Lumpur—Malaysia | 2021 | Official Field Line and Goals of USA WaterPolo, USA |
| 1999 | World Championships Perth—Australia | 2021 | Italian National Polo League Venues, ITA |
| 1999 | World Cup Sydney & Hobart—Australia | 2021 | USA WaterPolo Junior Olympics, California, USA |
| 1999 | South-East Asian Games—Brunei | 2022 | Official Polo Field and Goals of USA Water Polo, USA |
| 1999 | Pan-Pacific Games Sydney—Australia | 2022 | Australian Swimming Championships, Gold Coast, Australia |
| 1999 | Southport Olympic Pool—Australia | 2022 | Official Field Line and Goals of USA WaterPolo, USA |
| 1999 | Aquatic Centre Kalgoorlie-Boulder Australia | 2022 | Italian National Polo League Venues, ITA |
| 1999 | Cook & Phillip Park Sydney - Australia | 2022 | USA WaterPolo Junior Olympics, California, USA |
| 1999 | Regional Aquatic Centre Caboolture—Australia | 2023 | 2023 Brisbane Sprint Championships, Brisbane, AUS |
| 2000 | Sydney 2000 Olympic Games Aquatic Centre—Australia | 2023 | Official Field Line and Goals of USA WaterPolo, USA |
| 2001 | QEII Pool Christchurch—New Zealand | 2023 | Australian Youth Water Polo Championships, AUS |
| 2002 | Aquatic Centre Gorzow Wielkopolski—Poland | 2023 | Asian Water Polo Championships, Singapore |
| 2003 | National Training Centre Beijing —China | 2023 | South East Asian Games, Cambodia |
| 2003 | Regional Aquatic Centre Lismore—Australia | 2023 | Australian Swimming Championships, Gold Coast, AUS |
| 2005 | Australian Institute of Sport Canberra—Australia | 2023 | LEN Coppa Italia Polo Competition Venues, ITALY |
| 2005 | Chandler Aquatic Centre, Brisbane - Australia | 2023 | USA Water Polo Junior Olympics, USA |
| 2005 | China National Game Nanjing - China | 2024 | Australian Swimming Championships, Gold Coast, AUS |
| 2006 | Womens Water Polo Cup Tianjing - China | 2024 | South East Asian Games, Lahore (2025) |
| 2006 | Wendu Water City Beijing—China | 2024 | USA Water Polo JNR Olympics, USA |
| 2007 | Canadian Spring Nationals Competition - China | | |
| 2007 | 13th FINA World Championships - Melbourne, Australia | | |
| 2007 | Preselection Comp forBeijing 2008 Olympics - China | | |
| 2007 | Huangpu Aquatic Centre Shanghai—China | | |
| 2007 | Macau National Centre—China | | |
| 2007 | Special Olympics World Games Shanghai - China | | |
| 2007 | China City Game 2007 Wuhan - China | | |
| 2007 | FINA World Cup - Singapore | | |
| 2008 | Beijing 2008 - Water Cube Beijing 2008 - China | | |
| 2009 | Macao National Pool (Bulkhead) - China | | |
| 2009 | Singapore - FINA World Cup - Singapore | | |
| 2010 | Singapore - First Youth Olympic Games - Singapore | | |



FINA World Cup Competition Venue, Anti Wave Blocks and Racing Lanes



Anti Wave around the world



#FINAPERTH2019 #WPWL



Anti Wave Racing Lanes

Anti Wave MIDI & MAXI Lanes - the original and the best!



When performance counts...pools choose Anti Wave

The original and the best swimming racing lane currently available today. World renowned quality and innovation.

Our latest MAXI and MIDI model racing lanes represent the cutting edge of racing lane design and feature the most sophisticated, top performance, wave dissipation technology enlisted by any lane maker currently available. Comply with all World Aquatics, LEN and equivalent regulations. Proven top performance equipment for fast pools.

Unique Patented design features create multidimensional barrier against waves by dispersing them along the lane line, through each individual freely spinning lane disc, and then down into the water. Unparalleled performance.

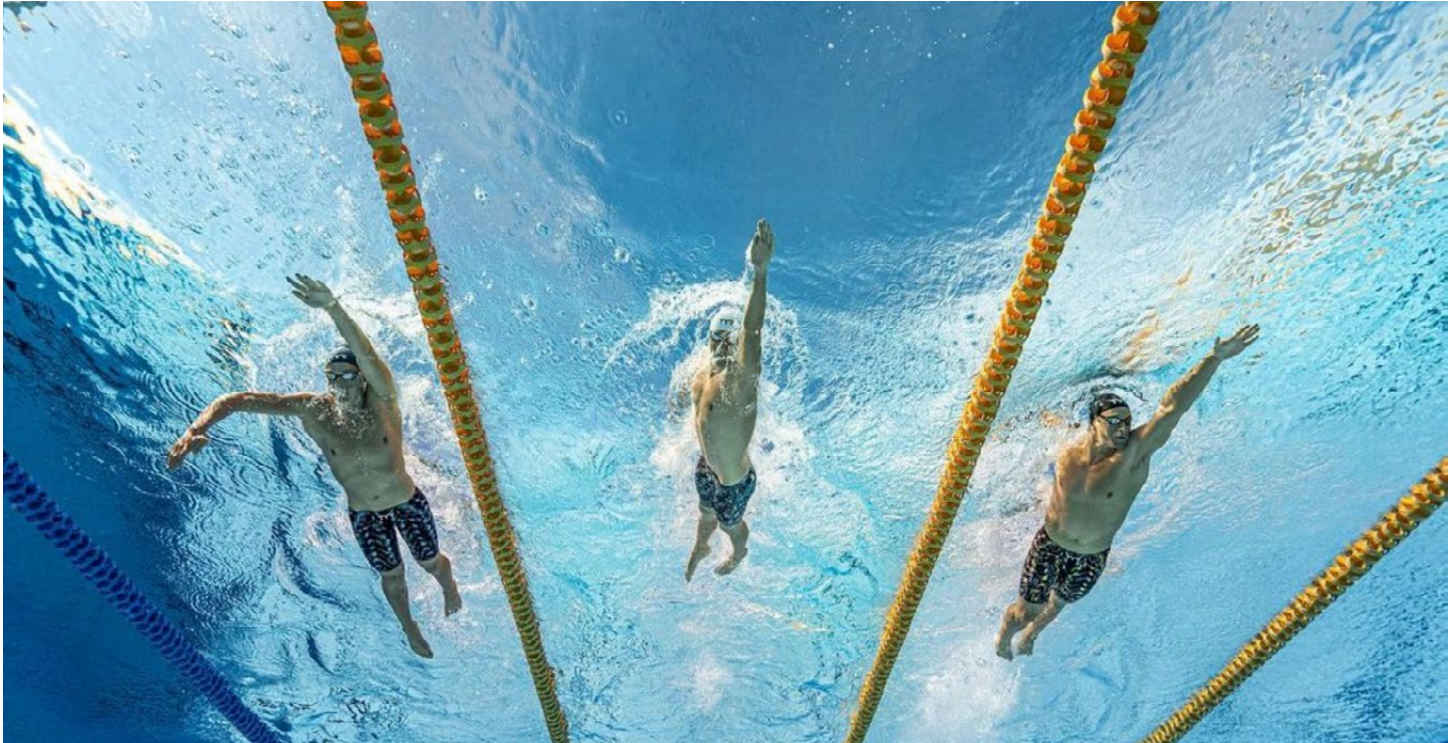
- ✓ • Our world leading MIDI & MAXI Lanes selected for World Cup, Olympic Games and other top venues, as well as quality school, university, club and private facilities around the world. Best global availability.
- ✓ • Equipped with original Patented SuperTensioner - for safe and easy lane installation, tensioning and removal.
- ✓ • The MIDI110mm is suitable for training, competition, water polo and general pool division.
 • The MAXI150mm is designed for optimal water dissipation and wave control in high turbidity competitive environments (shown above), such as top National and International FINA competition venues.
- ✓ • All discs are made from top specification and highest durability UV Stabilised advanced thermoplastics.
- ✓ • Patented Lane design ensures optimal wave dispersion as well as maximum swimmer comfort and ultimate durability. Optimised high performance design for ultimate wave dispersion.
- ✓ • Designed and tested in Australia to withstand the harshest conditions, for years of quality service.
- ✓ • Cable is SS316 with diameter of 3.1mm and max force of 5kn - allowing higher tension than other brands and more effective wave dissipation than older style ratchet type tensioners with lower tensioning capabilities.



Anti Wave Racing Lanes

Top Performance Racing Lanes for training and competition:

Anti Wave MAXI Racing Lanes, Australian Swimming Championships, Gold Coast 2024

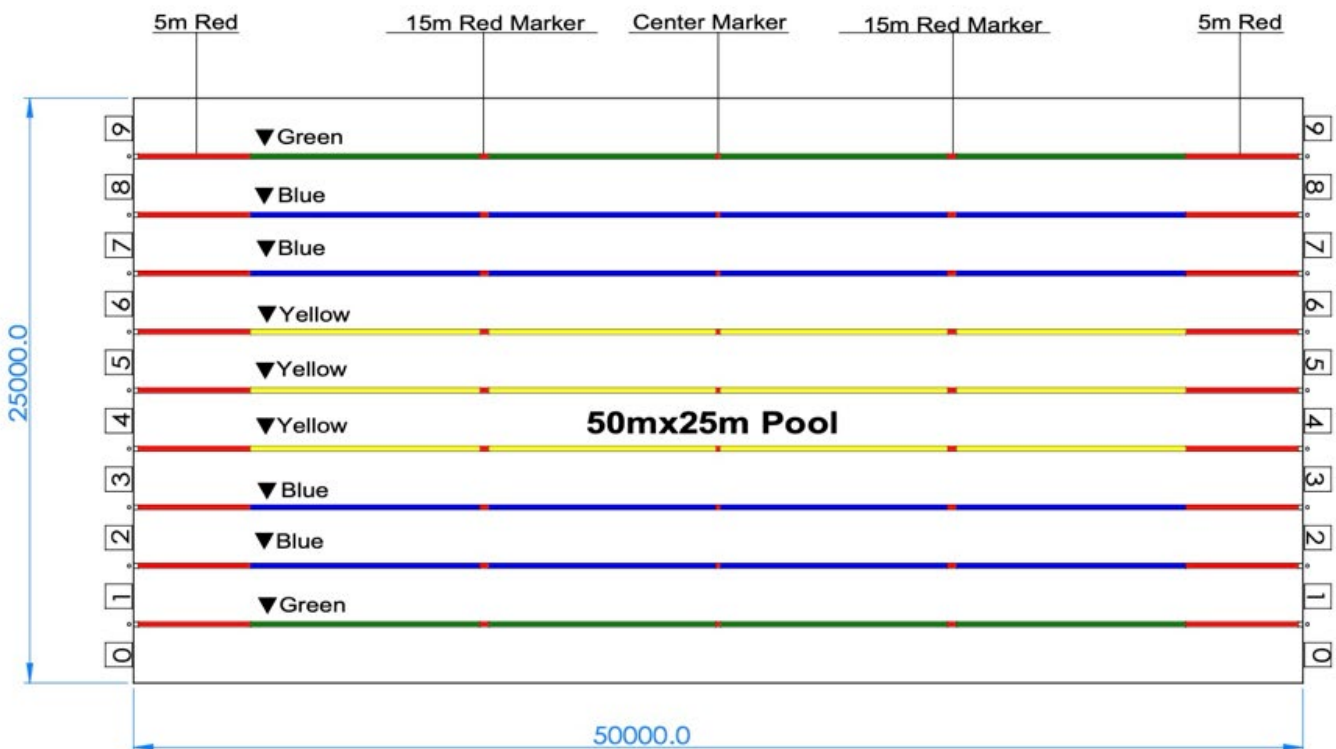
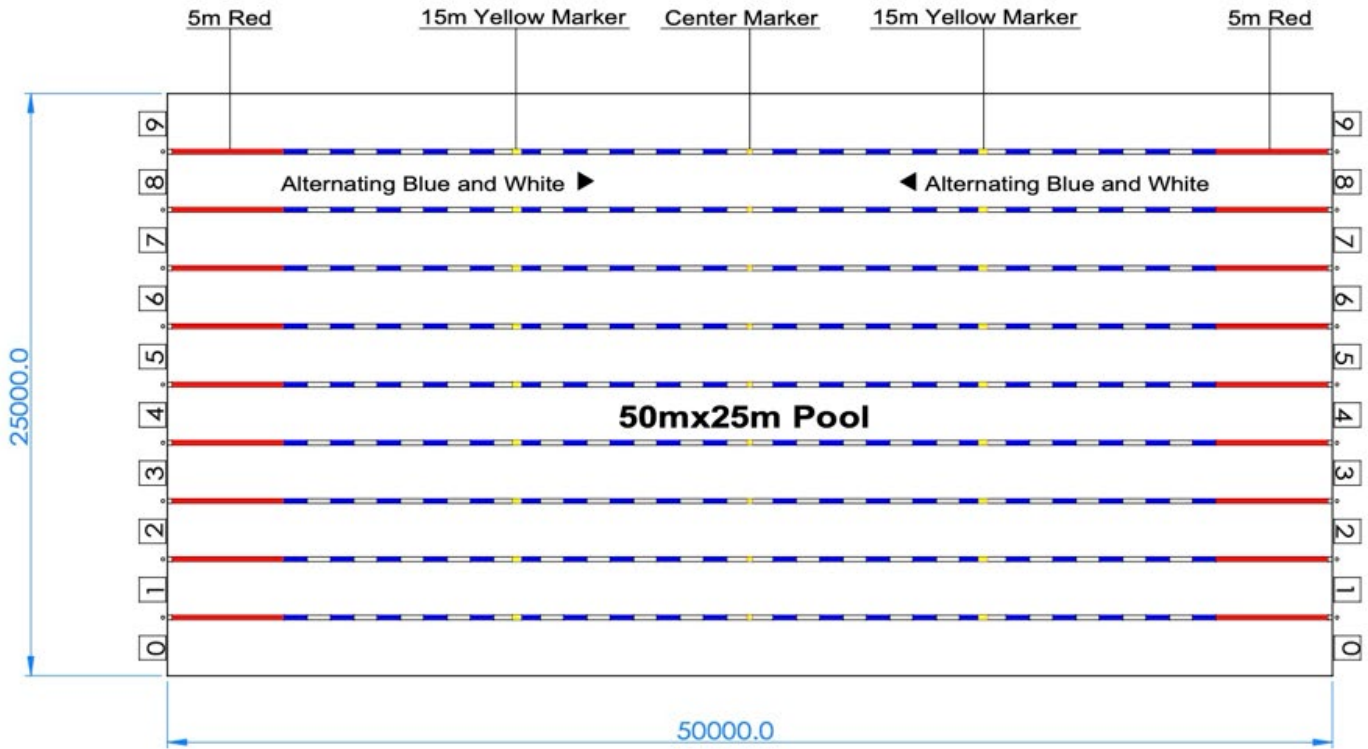


Anti Wave 50m MIDI Racing Lanes, Training Colours, USA, 2024



Anti Wave Racing Lanes

Competition and Training Lane Colours (50m Pool example):



Top: Anti Wave Racing Lanes 50m in International Training Colour configuration

Lower: Anti Wave Racing Lanes 50m in World Aquatics Competition Rainbow Colour configuration

Anti Wave SuperTensioner

The worlds favourite tensioner
 Unique to Anti Wave lanes



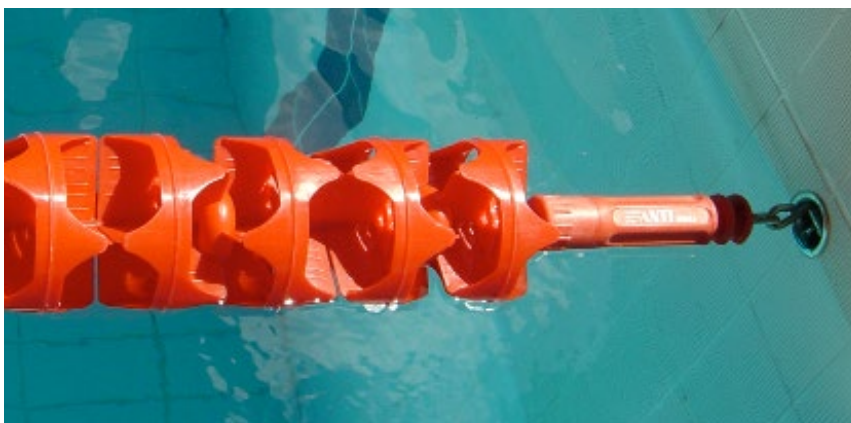
SuperTensioner Specifications:

- ✓ • Threaded SS316 Rod allows safe, simple and secure adjustment of lane ropes with no tool needed.
- ✓ • Stainless Steel Rod with brass ferrule and durable glass filled polycarbonate body construction.
- ✓ • Cable is SS316 with diameter of 3.1mm and max force of 4Kn.
- ✓ • Supertensioner body length including lock nut collar is only 230mm.
- ✓ • All fittings are marine grade SS316.
- ✓ • SuperTensioner is tested up to 4kN line pressure, allowing high performance wave dissipation, higher than archaic ratchet type.

The original and the best. The SuperTensioner is unique to Anti Wave.

Anti Wave SuperTensioner provides simple problem free tensioning of stainless steel lane cables and lane ropes and is superior to outdated 'turn-buckle technology', still used by other lane makers.

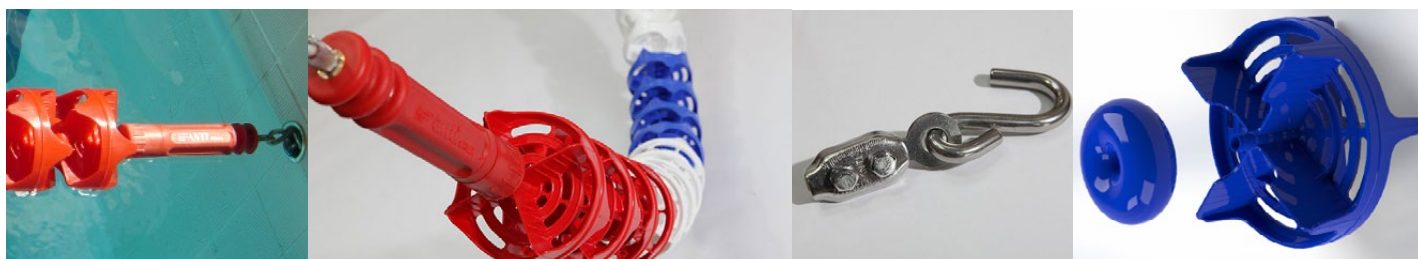
- Safe to adjust and secure and tamper proof once set at desired tension. No tool to be lost.
- Exact tension level of each lane is able to be confirmed by quick visual inspection of each tensioner from pool deck. Tension of each lane is locked onto place securely by tension lock collar.
- Can't be released accidentally. All other old style ratchet-type tensioning devices can be 'tripped' accidentally, often resulting in a mess of cable and ratchet teeth. With its lock-collar feature, this simply cannot happen with the Anti Wave SuperTensioner.



Ordering Information

CODE	PRODUCT	DESCRIPTION	WEIGHT	VOLUME
AWE001	25 m MIDI	Anti Wave Racing Lane 110mm diameter	29 kg	0.34 m ³
AWE002	25 m MAXI	Anti Wave Racing Lane 150mm diameter	34 kg	0.62 m ³
AWE003	50 m MIDI	Anti Wave Racing lane 110 mm diameter	57 kg	0.68 m ³
AWE004	50 m MAXI	Anti Wave Racing lane 150 mm diameter	68 kg	1.20 m ³
AWE01C	Custom	Custom lengths and configurations please enquire	-	-
AWE005	SuperTensioner	Lane tensioner with Short Clamp set	0.06kg	0.001 m ³
AWE009	LONG Clamp	Supplied with SS Hook	0.1kg	0.001 m ³

Anti Wave Lanes are supplied fully assembled with the Patented SuperTensioner on one end of the lanes, and Long Clamp with SS Hook assembled on the other end, ready for installation to the pool.

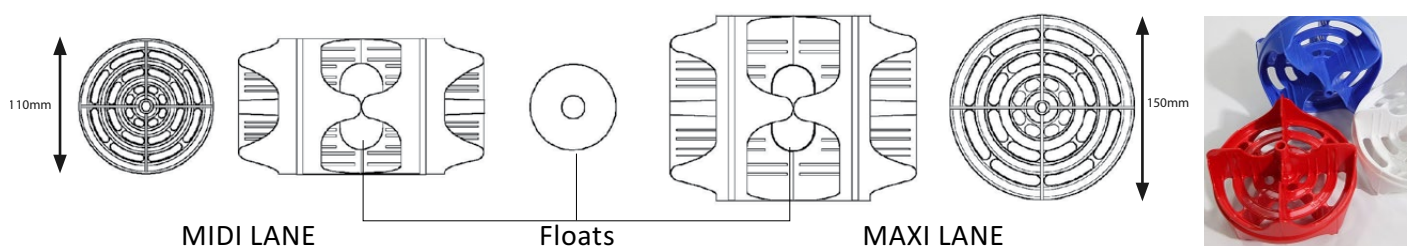


SuperTensioner

Anti Wave Racing Lanes Assembly

The MIDI 110mm diameter Racing Lane is suitable for general lane division and swimming. The MAXI 150mm diameter Racing Lane is designed for optimal water dissipation for National and International competition. Premium top performance Model suitable for top event facilities.

- Standard colours: Red 5m ends with White and Blue 1m sections alternating. 25m Lanes orders have red marks at 15m position, 50m orders have red marks at the 15m, and 25m positions.
- World Aquatics Multicolour: available on request, custom colours also available on request.



MIDI LANE

Floats

MAXI LANE



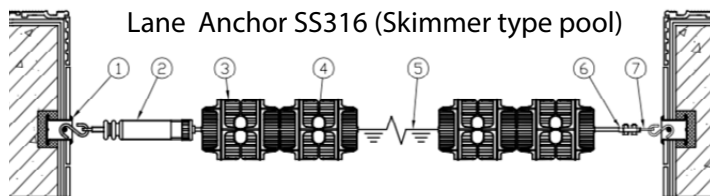
Racing Lane Fittings

Lane Anchor SS316 (Skimmer)

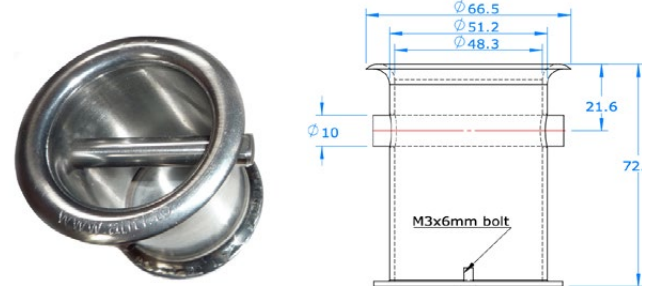
Anti Wave Lane Anchors provide secure flush anchoring to the pool for lane ropes and goal lines in a skimmer type pool. Standard or Slimline models.

Produced from non-corrosive Marine Grade SS316.

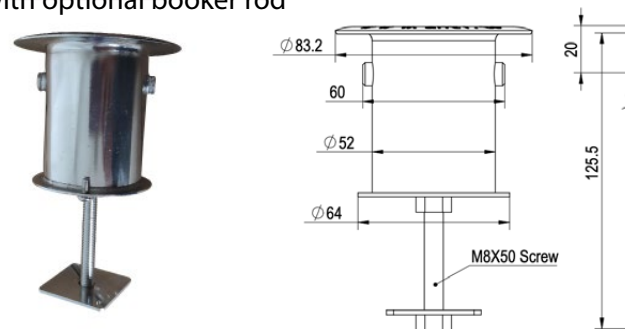
- Both models SS316L
- Suits all Anti Wave lanes and most other brands
- Suitable for non-overflow (Skimmer) Pools.



Below: AWE030 Lane Anchor SS316L



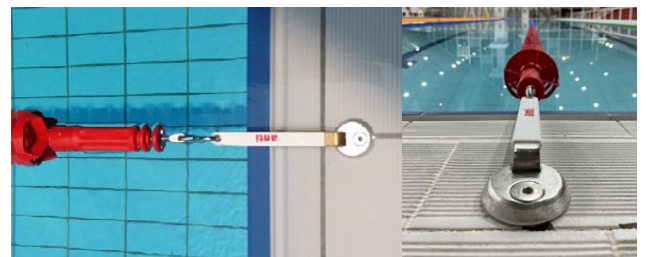
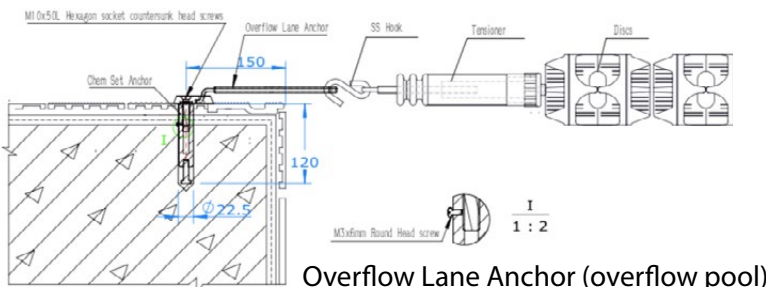
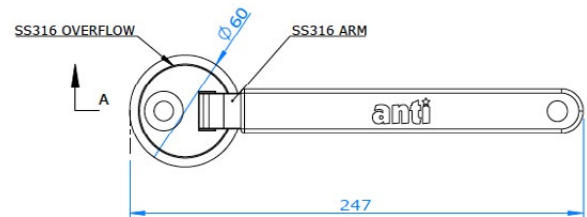
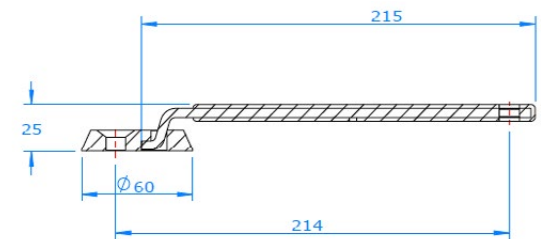
Below: AWE030B Lane Anchor SS316L with optional Booker rod



Overflow Lane Anchor (Wet deck)

Anti Wave Overflow Lane Anchors provide secure anchoring of Lanes in overflow (wet deck) pools.

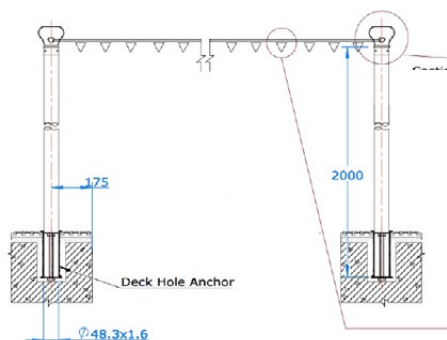
- SS316 Overflow Lane Anchor with 215mm Arm length. Arm is coated with durable rubberised compound.
- Longer 250mm Arm model also available.
- Secure lane attachment for 'Wet deck' (Overflow) pools.
- Includes ChemSet Anchor for installation to Pool.



CODE	PRODUCT	DESCRIPTION	WEIGHT	VOLUME
AWE030	LANE ANCHOR (Skimmer pool)	SS316, 48.3mm dia x 72.2mm (no rod)	0.3 kg	0.001m ³
AWE030B	LANE ANCHOR (Skimmer pool)	SS316 52mm dia x 72mm (125.5mm with rod)	0.3kg	0.001m ³
AWE031	DECK HOLE ANCHOR	SS316, 48.3mm x 125mm	0.54 kg	0.001m ³
AWE121	OVERFLOW LANE ANCHOR	SS316 - 215mm arm length	0.38 kg	0.001m ³
AWE121a	OVERFLOW LANE ANCHOR	SS316 - 250mm arm length	0.38 kg	0.001m ³

Pool Deck Equipment

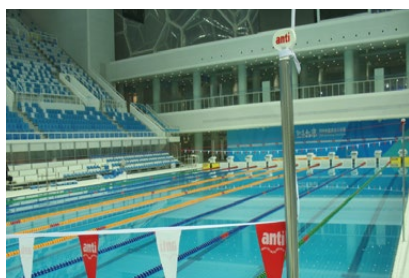
Back Stroke Pole and Flag Set



The Anti Wave Back Stroke Pole and Flag Set contains a complete set of FINA/WA Regulation SS Poles, Flags and Ropes and Deck Hole Anchors.

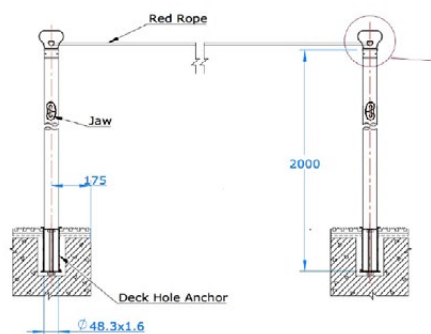
Includes:

- 2 x SS316 BackStroke Poles Regulation Height 1.8m
- 1 x BackStroke Flags and Rope FINA/WA Regulation
- 2 x Deck Hole Anchors for fixing of Poles
- Three sizes available - to suit 21m, 25m and 50m Pools.
- Custom Flag printing available to suit your pool or club with notice
- Back Stroke Poles, Flags and Fittings meet all FINA/WA requirements.



Beijing Olympics 2008 Water Cube

False Start Poles and Rope Set

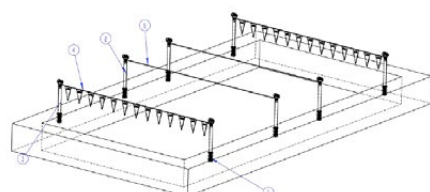


The Anti Wave False Start Poles and Rope Set contains a complete set of World Aquatics Regulation SS Poles, False Start Rope, and pool deck fittings.

The False Start Poles and Rope Set features a quick release cam on the poles to allow rapid false start indication to swimmers.

Includes:

- 2 x SS316 False Start Poles Regulation Height 1.8m
- 1 x False Start Rope and Fittings
- 2 x Deck Hole Anchors
- Three sizes available - to suit 21m, 25m and 50m pools. Customs sizes also available.
- False Start Poles and Rope Set meets all FINA/WA requirements.



1. Backstroke Poles and Flags Set - Deck Hole Anchor
2. False Start Poles and Rope Set - SS 2m Pole
3. Backstroke Poles and Flags Set - SS 2m Pole
4. Backstroke Poles and Flags Set - Flags and Rope
5. False Start Poles and Rope Set - False Start Rope

CODE	PRODUCT	DESCRIPTION	WEIGHT	VOLUME
AWE039	FALSE START POLES ROPE SET	SS316 Poles w/ Jaw x 2, DH Anchor x 2, Rope	30kg	0.40m ³
AWE032	BACKSTROKE POLES AND FLAG SET	SS316 Poles no Jaw x 2, DH Anchor x 2, Flags	54kg	0.65m ³
AWE012	LIFEGUARD CHAIR	ALU LifeGuard Chair - 4 Step	51kg	1.24m ³
AWESP	ALL SPARE PARTS	ALL SPARE PARTS AVAILABLE	-	-

Pool Deck Equipment

Anti Wave Caddy Lane Saver



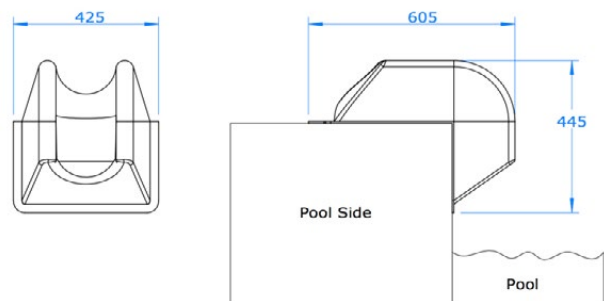
Anti Wave Lane Caddy, The Valley Pool, Brisbane, Australia

The Original Lane Caddy.

The Anti Wave Caddy Lane Saver provides for safe and quick removal and installation of Antiwave swimming racing lanes.

The Caddy Lane Saver is designed to be quickly installed onto the pool deck and allows for smooth and unhindered movement of lanes that would otherwise be damaged by the sharp pool edge.

- The lane Caddy System is an Anti Wave original design.
- Hooks over the pool edge to enable easy and safe removal of lanes.
- Produced from Durable Reinforced FRP.



Anti Wave Lane Caddy

CODE	PRODUCT	DESCRIPTION	WEIGHT	VOLUME
AWE013	LANE CADDY	LANE REMOVAL DEVICE FRP	3.25 kg	0.07m ³

Pool Deck Equipment

Anti Wave Lifeguard Chair

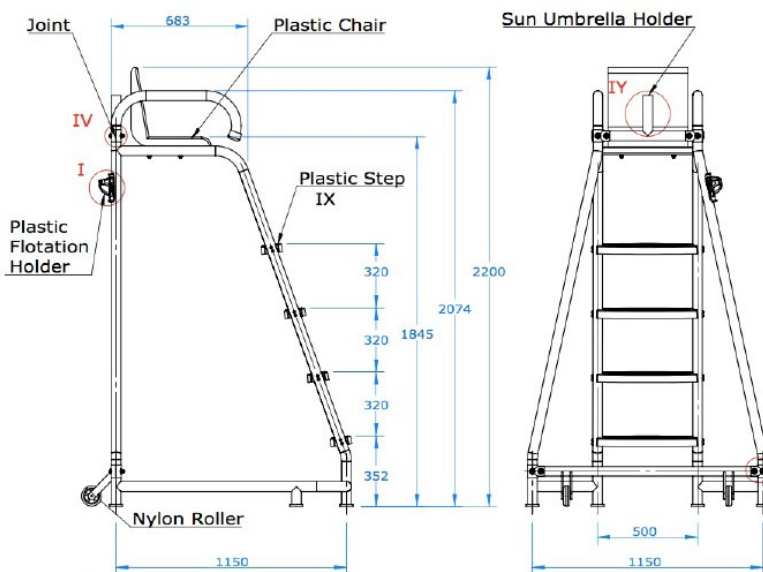
The Anti Wave Lifeguardchair provides a practical and safe vantage point for life guard duties.

Specifications:

- Sturdy HD Aluminium construction with white powder coating.
- Nylon wheels allows the chair to be safely moved.
- Rubber inserts protect the pool deck from scratches and ensure stable and safe positioning.
- Lifeguard chair has fittings for the mounting of a lifeguard Bouy and Umbrella, both located just behind the seat.
- Height from ground to base of seat is 1895mm.
- Base dimensions are 1200mm x 1200mm.
- Total height to top of chair is 2000mm.



Above: Anti Wave Lifeguard Chair

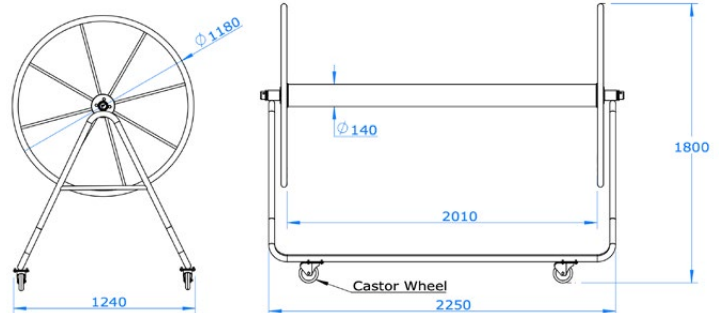


CODE	PRODUCT	DESCRIPTION	WEIGHT	VOLUME
AWE039	FALSE START POLES ROPE SET	SS316 Poles w/ Jaw x 2, DH Anchor x 2, Rope	30kg	0.40m ³
AWE032	BACKSTROKE POLES AND FLAG SET	SS316 Poles no Jaw x 2, DH Anchor x 2, Flags	54kg	0.65m ³
AWE012	LIFEGUARD CHAIR	ALU LifeGuard Chair - 4 Step	51kg	1.24m ³

StoReel (Lane Storage Reel)

Protect your Anti Wave Racing Lanes with the original Anti Wave StoReel and StoReel Cover.

- HD White Powder Coated Aluminium StoReel with Heavy Duty braked castor wheels.
- Large Capacity - holds up to 6 x 25m MIDI 110mm lanes or 4 x 25m MAXI 150mm.
- Innovative oversized central drum ensure each row of lanes is protected and secure.
- Easy to use - holes drilled into the central drum provide anchor point for lanes and large outer diameter wheels ensure safe and stress free use.
- Strong SS316 Castor Wheel Body with Marine Nylon Castor wheels with foot activated brake.
- Available with Green Solarguard Mesh Covers which protect from interference, dust and UV radiation.
- Full list of spare parts available.



Anti Wave StoReel and Cover, Above: StoReel with Lanes (Australia), Right Lower: SolarGuard Mesh Cover.

CODE	PRODUCT	DESCRIPTION	WEIGHT	VOLUME
AWE010	STOREEL	ALU Lane Storage Reel	48kg	0.47m ³
AWE014	FOLDABLE STORAGE BIN	Deck Storage Bin - ALU	24.5kg	0.20m ³
AWE011	STOREEL COVER	SolarGuard Cover Green	2.5kg	0.03m ³

StoReel Cover HD

StoReel Cover HD Vinyl

The Anti Wave HD Vinyl StoReel Cover provides the ultimate protection for your Racing Lanes and StoReel:

- Produced from Heavy Duty Blue Vinyl material for ultimate protection & durability
- Oversized dimensions to easily fit a StoReel loaded to capacity with Racing Lanes
- Easy to use lower drawstring secures the lower section of the Cover is secured in place
- Provides protection to Racing Lanes and Storeel from rain, sun, dust and prevents unwanted access to Lanes and Storeels from pool users.
- Dimensions are 2.5m x 1.25m x 1.8m H.



Above and Below: Heavy Duty Blue Storeel Cover

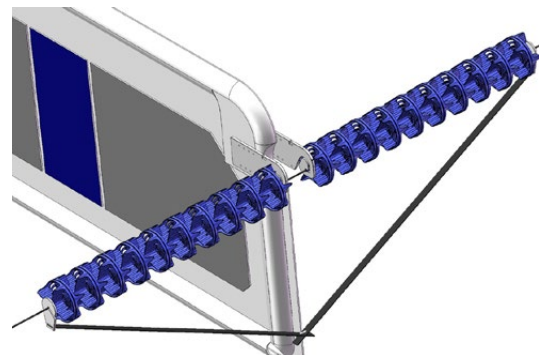


Above and Right: Anti Wave StoReel and Heavy Duty Blue Cover



CODE	PRODUCT	DESCRIPTION	WEIGHT	VOLUME
AWE011B	STOREEL COVER	HD Vinyl StoReel Cover Blue suit Anti Wave StoReel	5kg	0.05m ³

TurnMaster Pro Turnboard



The Turnmaster Pro Turnboard is a portable lane Turnboard designed to maximize lane usage. The Turnboard Pro is suspended between two lane ropes, dividing one lane into two, enabling increased swim training programming and flexibility.

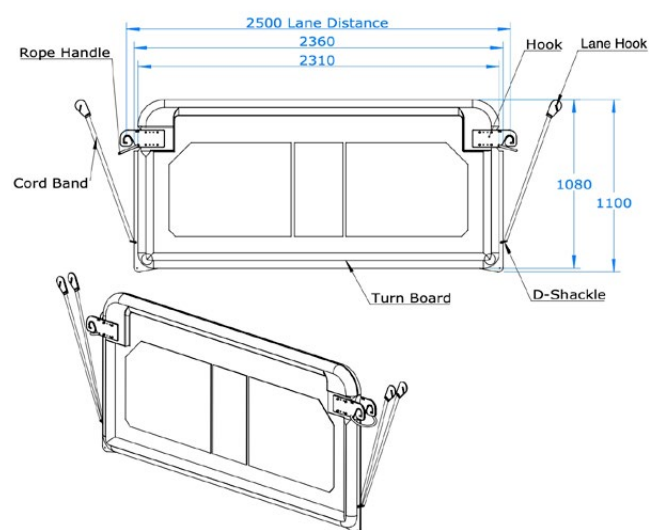
The streamlined design prevents drag in the water and extends seamlessly across pool lanes, allowing for optimal pool space.

Produced in Fibreglass and Engineering Plastics, the Turnmaster Pro is built to withstand the impact of repetitive full speed turns.

The Turnmaster Turnboard will fit most standard lane sizes.

Specifications:

- Produced from durable Vinyl Ester chlorine-resistant fiberglass
- Divides one lane into two, adding additional wall space
- Customize your Pool with the TurnMaster Turnboard
- Built in wheels for easy transportation and storage
- Suitable for 2.5m Lane width.
- Can be used with most Racing Lane types including Anti Wave Racing Lanes.



CODE	PRODUCT	DESCRIPTION	WEIGHT	VOLUME
AWE606	TurnMaster TurnWall	Anti Wave TurnWall FRP 2.5m	23kgs	0.34 m ³
AWE602	TurnMaster TurnWall	All Spare Parts available	1kg	0.01 m ³



Foldable StorBin & PaceClock

Protect your Anti Wave deck equipment with the original Anti Wave Foldable StorBin.

- High capacity and strong construction.
- Produced from strong and durable powder coated aluminium.
- StorBin Folds flat for efficient storage when not in use.
- Designed for pool deck stability and functionality for deck use
- Includes sturdy SS316 castor wheels.



Above and Right: Anti Wave Foldable StorBin

Pace Clock (4 arms)

The Anti Wave Pace clock was designed specifically for top training facilities, and combines excellent design with functionality:

- Dimensions are 900mm x 900mm and Pace Clock is designed for wall hanging with a 220V/240 drive socket
- Multi-coloured hands provide clear and easy reading from the water level
- Features UK manufactured custom made 220V/240V clock motor
- Durable engineering plastics frame with acrylic Cover



Above: Anti Wave Pace Clock

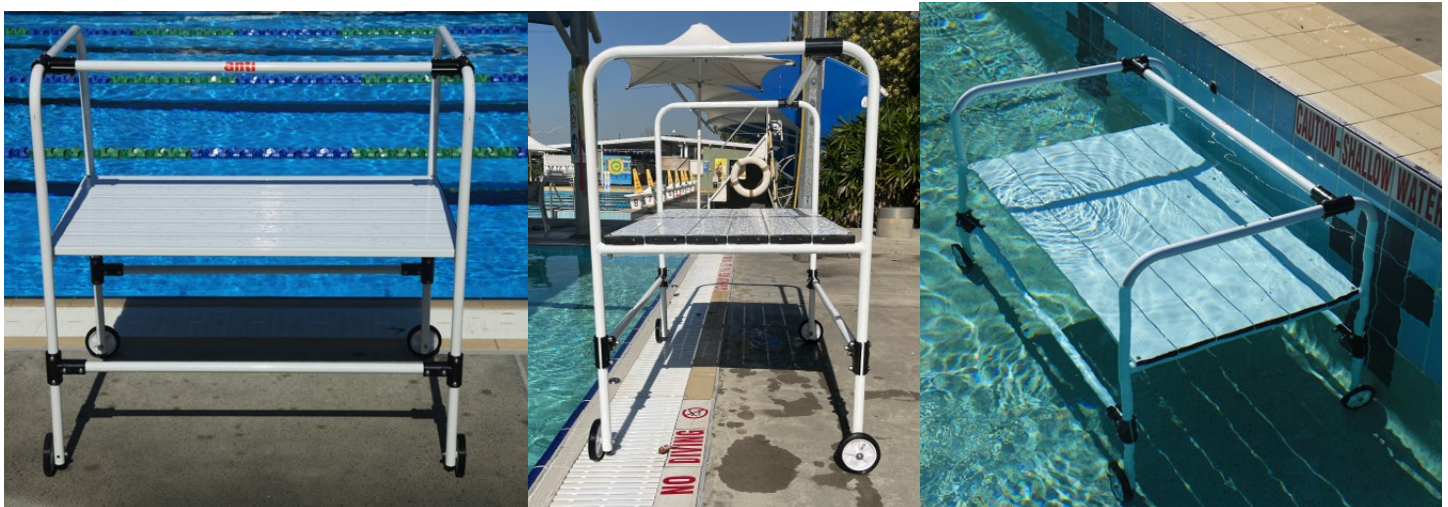
CODE	PRODUCT	DESCRIPTION	WEIGHT	VOLUME
AWE014	STORBIN	Foldable Storbin	24.5kg	0.20m ³
AWE015	PACE CLOCK	220V - 4 Arm Lap Swim Timing Wall Mounted	18 kg	0.20m ³
AWE015A	MOTOR 220V	Replacement 220V Motors to suit Pace Clock	-	-

Swim Teaching Platform

The Swim Teaching Platform is a sturdy standing platform designed for teaching learn-to-swim lessons in deeper water. The Platform creates a strong and stable, non-slip surface higher up on the pool floor, providing learner swimmers with a safe and enjoyable learning experience.

Made from strong and durable Powder Coated Aluminium with Marine Nylon connectors, providing ultimate durability and longevity. Resistant to sun and chlorine damage for many years of reliable service.

The top Railing can be moved into various positions to accommodate teaching needs and age groups. Wheels are included for simple and hassle free deck movement and installation/removal to/from pool.



Specifications:

- Designed and produced in Australia, highly durable construction to suit harsh Australian full sun conditions.
- Raised platform creates a strong and stable platform for an enjoyable and safe learn-to-swim experience.
- Produced from Powder coated Aluminium with Marine Nylon Connectors and SS316L hardware.
- Platform has an extruded moulded non-slip top ensuring users remain comfortable and confident.
- Customisable sizing options available including length, width and height to suit a range of pool needs.
- Std Dimensions are 1200mm L x 850mm W x 1250mm H
- Platform is 500mm below waterline in standard 1.2m depth.
- Please contact us for custom sizes and dimension orders.



Above: Anti Wave Swim Teaching Platform

- Includes durable and convenient non marking Wheels for easy deck movement and installation by one person.
- Designed for low cost UPS Air Courier freight world wide with low freight volume and weight.

CODE	PRODUCT	DESCRIPTION	WEIGHT	VOLUME
AWESTP	Swim Teaching Platform	Raised Learning Platform	18kg	TBA

Anti Wave Starting Blocks

Since 1972 Anti Wave has been at the forefront of Swimming Starting Block innovation and development, paving the road ahead for increased start times for top performance competition swimmers, and also providing a range of quality, top value starting block options for general training and club use.



Above: Anti Wave SuperBlock 800 with Moveable TrackStart System - FINA World Cup Event

Arguably the single most important innovation for starting blocks took place with Anti Wave's development of the Start Block Track Start system in the early 2000s. Inspiration was taken from track and field competition, and introduced into starting blocks through an angled and adjustable wedge at the rear of the Starting Block, from which swimmers push off from with their rear foot, leading to significantly decreased start times.

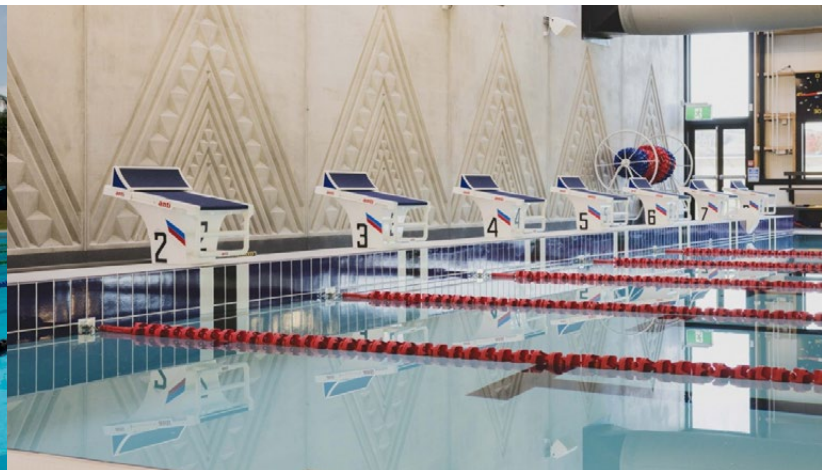
The Anti Wave Starting Block 'Moveable Track Start System' was first developed and patented in 2002. Anti Wave then produced the first ever Track Start Block for Olympic competition at Beijing 2008 WaterCube venue.

The Movable Track Start System has now become the industry standard design for competition starting blocks around the world, and the design feature has been taken up by many starting block makers internationally.

Anti Wave has 'lead the way' in world wide Starting Block innovation and development, and continues to innovate today with ongoing innovation with improved technologies, enhanced production techniques as well as ongoing improvement in designs and materials for the best possible start for all swimmers!



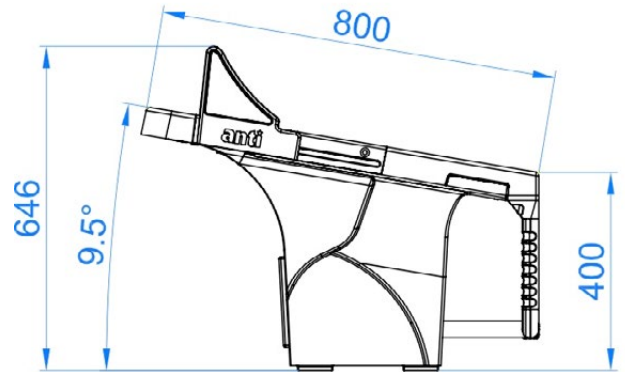
Above: Anti Block 600 with Fixed TrackStart



Above: SuperBlock 750 with Moveable TrackStart System



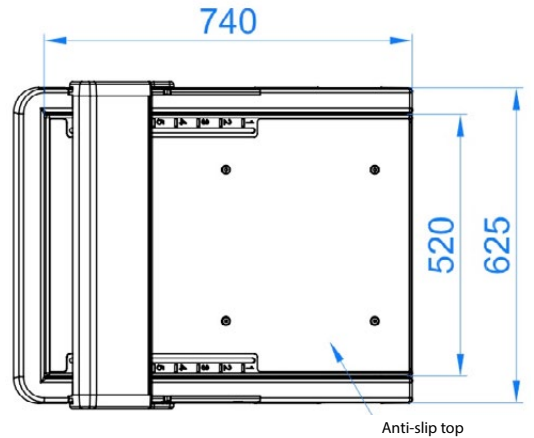
SuperBlock 800



Above: SuperBlock 800 Side View



SuperBlock 800, FINA World Cup Event



Above: SuperBlock 800 Vertical View

The SuperBlock 800 is our premium World Aquatics Compliant Moveable Track Start block, chosen for top performance training and competition facilities around the world. Includes the World Aquatics Approved 5 Point Moveable Track Start System (MTS) for top performance starts.

- Compliant with World Aquatics regulations.
- Durable FRP construction with SS316 fittings
- Movable Track Start (MTS) adjustable to 5 positions, for fastest start times.
- Durable, long life anti-slip top tread on top.
- Backstart handles reinforced with SS316 for safety and durability.
- Compatible with major electronic timing systems (including Omega RBD)
- Optional extra Safe Start handles available
- Protect your blocks with the 'No Diving' Heavy Duty Block Covers.
- Includes Block Installation Kit



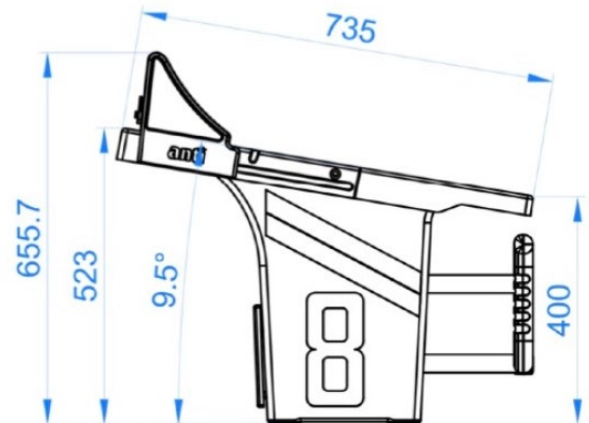
Above: SuperBlock 800 Dubai College, UAE

CODE	PRODUCT	DESCRIPTION	WEIGHT	VOLUME
AWE017S	SuperBlock 800	FRP Starting Block	43 kg	0.42m ³
AWE018	Block Cover	White Mesh Cover	2 kg	0.05m ³
AWE817	Block Cover SUIT SB800	Blue HD Vinyl Block Cover 'No Diving'	1kg	0.05m ³

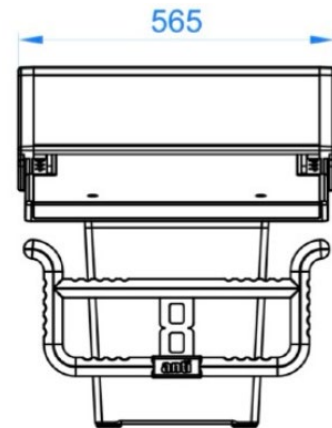
SuperBlock 750



SuperBlock 750 with 5 Point Moveable Track Start System



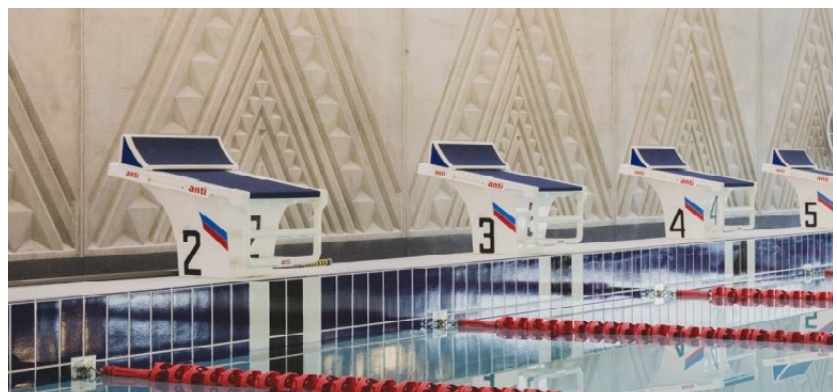
Above: SuperBlock 750 Side View



Above: SuperBlock 750 Front View

The SuperBlock 750 is suitable for performance training and competition facilities and includes the World Aquatics approved 5 Point Moveable Track Start System for top performance starts. The smaller footprint base and shorter top length is more suitable for installation where pool deck or bulkhead space is limited.

- Compliant with World Aquatics regulations.
- Durable FRP construction with SS316 fittings.
- Movable Track Start (MTS) System adjustable to 5 unique positions, for fastest start times
- Durable, long life anti-slip top treads
- Backstart handles reinforced with SS316 for safety and durability.
- Optional extra Safe Start handles for fastest starts and safety.
- Compatible with major electronic timing systems.
- Includes Block Installation Kit.



Anti Wave SuperBlock 750 with Moveable TrackStart System

CODE	PRODUCT	DESCRIPTION	WEIGHT	VOL
AWE71S	SuperBlock 750	SMC,750mm Top	20kg	0.3m ³
AWE018	Block Cover	White Mesh	2 kg	0.05m ³
AWE818	Block Cover	Blue HD Vinyl	2kg	0.05m ³
	SUIT SB750	Block Cover 'No Diving'		

Anti Block 600

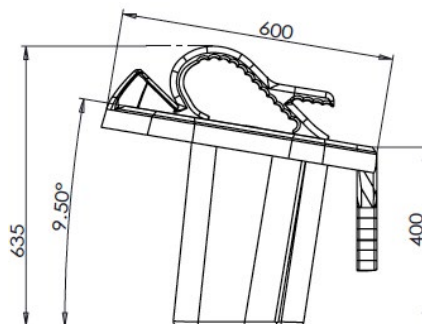


Anti Block 600 with Fixed TrackStart wedge

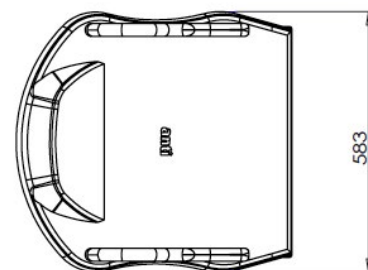
The Anti Block 600 is designed for the requirements of general competition and training pools.

Includes fixed track start Wedge for performance starts.

- Fibreglass construction with 316 SS fittings.
- Compliant with World Aquatics regulations.
- Fixed Track Start with ergonomic moulded non slip surface for dependable and fast start times and safety.
- Backstart handle is reinforced with SS316.
- Top features durable non-slip finish.
- Includes C-Anchors and installation instructions.
- Optional SafeStart Handles



side view



Anti Block 600, Top and Side views

CODE	PRODUCT	DESCRIPTION	WEIGHT	VOLUME
AWE115	ANTI BLOCK 600	STARTING BLOCK GRP	19.5kg	0.27m ³
AWE018	Block Cover Mesh	White Mesh Cover	2kg	0.05m ³
AWE019	Block Cover GRP	No Diving Cover	3kg	0.02m ³

Heavy Duty Block Cover

The Anti Wave Heavy Duty Block Cover is produced from a tough blue, heavy-duty vinyl material for ultimate Starting Block protection. The cover includes an integrated drawstring rope along the bottom edge in order to secure into place.

Features No Diving image on top and sides to clearly indicate no diving status.

Protect your blocks from UV deterioration and prevent use during unsupervised lap swimming.

Fits all Anti Wave Starting Blocks, and many other popular block models.



Above: Block Covers installed at Yeronga Pool, Brisbane Australia, Right: AWE818 SuperBlock 800 Cover Dimensions

Product Specifications:

- Blue Heavy-duty Vinyl Material with 'No Diving' designation clearly visible
- Includes lower drawstring to secure cover in place around the block
- 'No Diving' Clearly visible from around each side of the block
- Protects Blocks from the harmful effects of UV, dust and rain
- Separate models for both SuperBlock 750 and SuperBlock 800:
 - AWE817 Suits SuperBlock 750 and other smaller blocks
Dims: 800mm L x 670mm W x 500mm H
 - AWE818 Suits SuperBlock 800 and larger blocks
Dims: 730mm L x 580mm W x 490mm H.
- Designed and tested in Australia, to suit harsh Australian conditions



AWE817 Suits SuperBlock 750 Cover



AWE818 Suits SuperBlock 800 Cover

CODE	PRODUCT	DESCRIPTION	WEIGHT	VOLUME
AWE817	BLOCK COVER SUIT SB750	Blue HD Vinyl Block Cover 'No Diving'	1kg	0.05m ³
AWE818	BLOCK COVER SUIT SB800	Blue DH Vinyl Block Cover 'No Diving'	1kg	0.05m ³



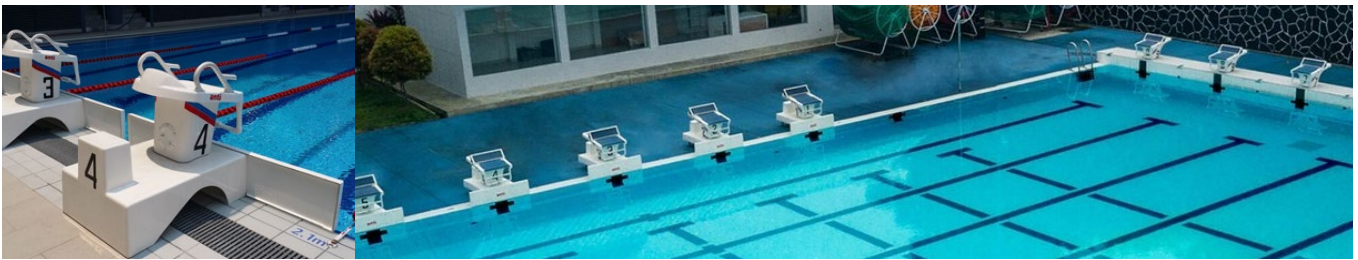
Overflow BlockStands



Anti Block 600 w/ OverFlow BlockStand & GRP TurnBoard 2.0m x 0.3m



Overflow Block Stand w/ Anti Block 600



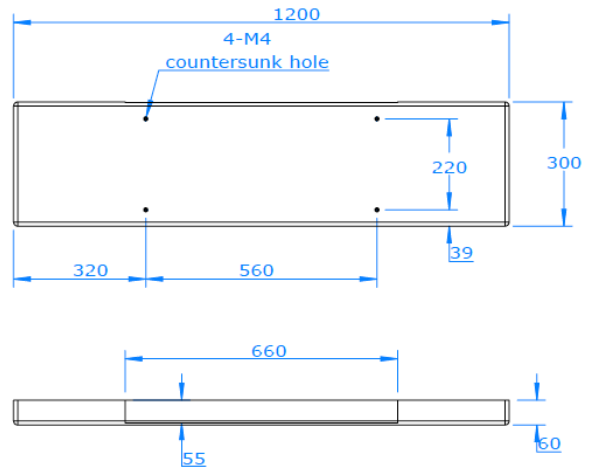
Overflow BlockStand

The Overflow BlockStand provides a stable and durable platform for the installation of Anti Wave blocks in an overflow pool environment.

- Suitable for Overflow type pools.
- Produced from hand-laid FRP and SS316L fittings.
- Elegant design allows cleaning of pool deck without removal of OverFlow BlockStand.
- TurnBoard GRP (sold separately) attaches to the Overflow BlockStand.
- 4 piece Dynasets/Anchors are included for installation to the pool deck.

TurnBoard GRP

Produced from FRP with SS316L fittings, the Turnboard provides positive confirmation of the pool end for the swimmer and attaches to the Overflow BlockStand with 4 x M4 Bolts.



CODE	PRODUCT	DESCRIPTION	WEIGHT	VOLUME
AWE020	OVERFLOW BSTAND	GRP BLOCKSTAND	31kg	0.45m ³
AWE021	TURNBOARD GRP	GRP 1.2m x 0.3m	10kg	0.10m ³
AWE429	TURNBOARD GRP	GRP 2.0m x 0.3m	13kg	0.15m ³

BackStroke Start Ledge

Backstroke Start Ledge - BackStroke Handle Model (AWELBH)

The Anti Wave Backstroke Start Ledge is an easy to use and practical backstroke starting device for swimmers to perform top performance backstroke starts. The Backstroke Start Ledge includes manual height adjustment and is suitable for connection to all standard starting blocks including all Anti Wave Blocks. Developed in consultation with Australian Swim Team members, the Ledge is simple to install and adjust on the pool by the swimmer or coach.

Specifications:

- Compatible with all standard block types, and adjustable to suit a range of swimmers needs including Masters as well as top competition swimming and training.
- Marine grade anodised aluminium body with non-slip custom moulded surface, Croc Grip tape on upper edge, Marine Nylon Protector End Caps and Marine Polyester Webbing with SS316 Cam Buckle.
- Adjustable to suit each swimmers needs using simple and durable Marine StayPut and Eyelet system. Can be adjusted to +4cm above or -4cm below water level, as well as longer adjustments to suit Master/Youth swimmers.
- Easily adjustable on the pool by the swimmer while in the water, or by the coach from the Pool deck.
- Meets World Aquatics Regulations, suitable for Competition Events.
- Dimensions are 650mm Long, 80mm Height, 20mm Width. Angle of wedge is 10 degrees.



South East Asian Games Competition Venue 2019

CODE	PRODUCT	DESCRIPTION	WEIGHT	VOLUME
AWELBH	Backstroke Start Ledge LBH	BackStroke Start Device	2.1kg	0.05m ³
AWELBHS	ALL SPARE PARTS AVAILABLE	PLEASE ENQUIRE	-	-

BackStroke Start Ledge

Backstroke Start Ledge - TrackStart Model (LTS)

The Patented Anti Wave BackStroke Start Ledge provides a simple and easy to use Ledge for swimmers to perform highest performance backstroke starts in both training and competition. Designed for Track Start type blocks.

Designed in close collaboration with the Australian backStroke swim team and top level Australian coaches, the ledge is simple to install and adjust by the swimmer or coach while in the pool or on the pool deck. The Ledge locks securely into place once set, and is quickly removed from the Block when used in competition or training.



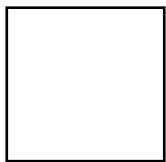
Specifications:

- Marine grade anodised aluminium body with non-slip custom moulded surface, CrocGrip non-slip tape on upper edge, for ergonomic and durable foot rest. Marine Nylon Protector End Caps protect pool tiles from damage.
- The ledge attaches securely to the rear of the Block TrackStart Wedge via durable 3m Vellcro attachments.
- The height of the Ledge can be adjusted by the swimmer while in the pool, or the coach on pool deck. The ledge is raised or lowered into needed position by adjustment of the position of the Track Start Wedge on the block.
- For competition meets the Ledge may be fixed at a uniform fixed position at water level, as used at FINA WCH Event 2019.
- Heavy Duty nylon straps are rated to withstand even the strongest of swimmers' starts. Load rated to 13kN. Body is made from Anodised Marine Grade Aluminium, custom Non-Slip body with Croc Grip tape on upper surface.
- Meets World Aquatics Regulations, suitable for World Aquatics competition Events.
- Includes custom Anti-slip traction surface which is secure and also gentle on the feet. Durable non slip tape is installed on the crucial upper edge, where most pressure is applied when using correct start techniques.
- Simple, trouble free manual movement ensures no moving parts to break, and reliable installation, adjustment and removal each and every time.
- During competition, the Ledge is quickly and easily removed from the Block once the race has begun.

CODE	PRODUCT	DESCRIPTION	WEIGHT	VOLUME
AWELTS	Backstroke Start Ledge LTSV	BackStroke Start Device	2.1kg	0.05m ³
AWELTSS	ALL SPARE PARTS AVAILABLE	PLEASE ENQUIRE	-	-

TransGrate PP Gratings

Grating Colours (special colours available on request):



White

Similar to RAL 9010

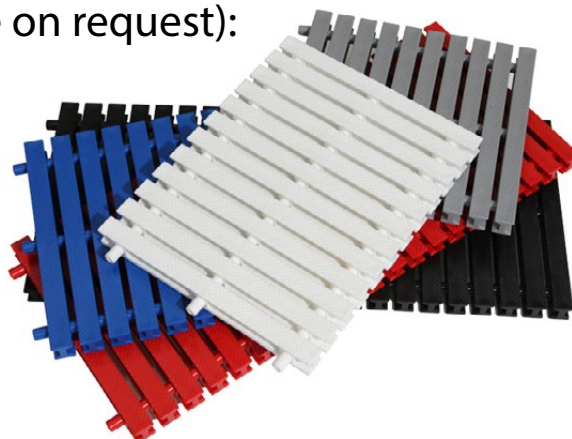


Grey

Similar to RAL 7032

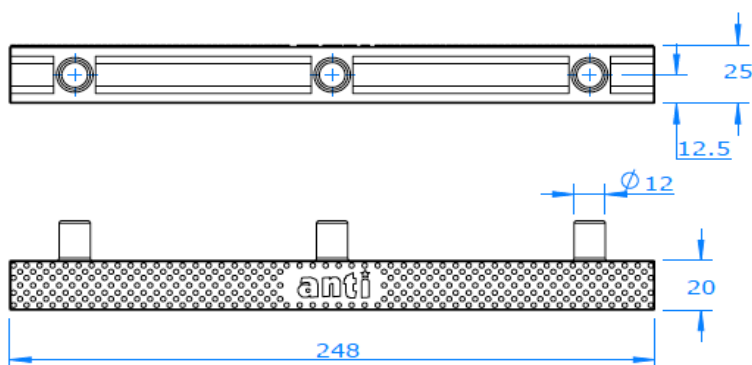


Blue



TransGrate PP Profiles:

Anti Wave TransGrate PP Overflow Gratings profile include our safety profile seal, which is incorporated into the unique I-Beam interlocking design. This structure enables maximum strength and durability on the pool deck, while maintaining very high levels of comfort under the feet. TransGrate PP is suitable for straight line or curves with radius up to 3950mm.



TransGrate Features:

- Produced from engineering plastics (PP) for superior strength and durability. Materials used are safe and non-toxic and ensure precise tolerances, consistent colour, thickness and density are maintained.
- Unique I-Beam profile ensures maximum strength and durability, as well as provides a highly comfortable, non-slip top surface for maximum safety and comfort on the pool deck.
- Unique I-Beam profile design is gentle on the feet and Antislip top is highly slip resistant.
- Slip resistance is equivalent to DIN 51097 testing criteria, Category B.
- UV stabilised materials are highly durable and offer excellent safety and hygienic qualities. Highest quality colours are used to ensure longevity and that gratings compliment the general pool layout.
- TransGrate PP suitable for straight line or curved applications with radius up to 3950mm.



TransGrate PP Gratings

Features Summary:

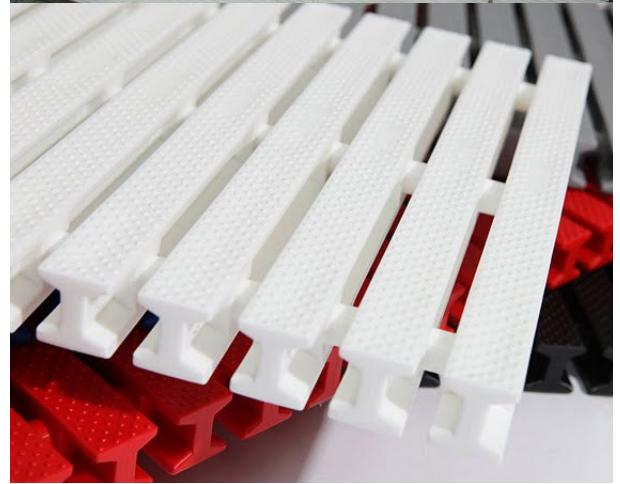
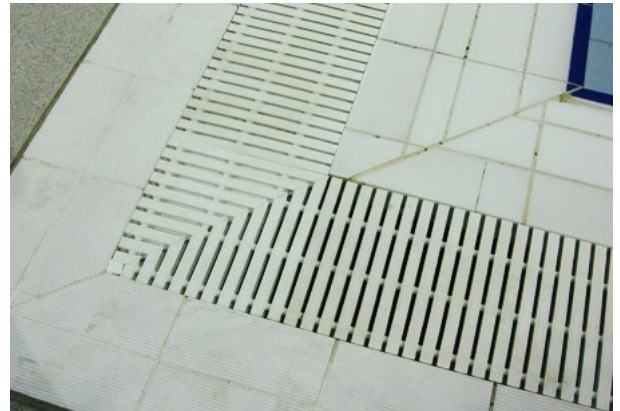
- Easy to use, maintain and clean.
- Excellent technical, safety and hygiene features.
- Highest specification materials, precise tolerances and production specs.
- Suits straight line and also curves with radius to 3950mm.
- Corners available - please enquire.

Available Sizes:

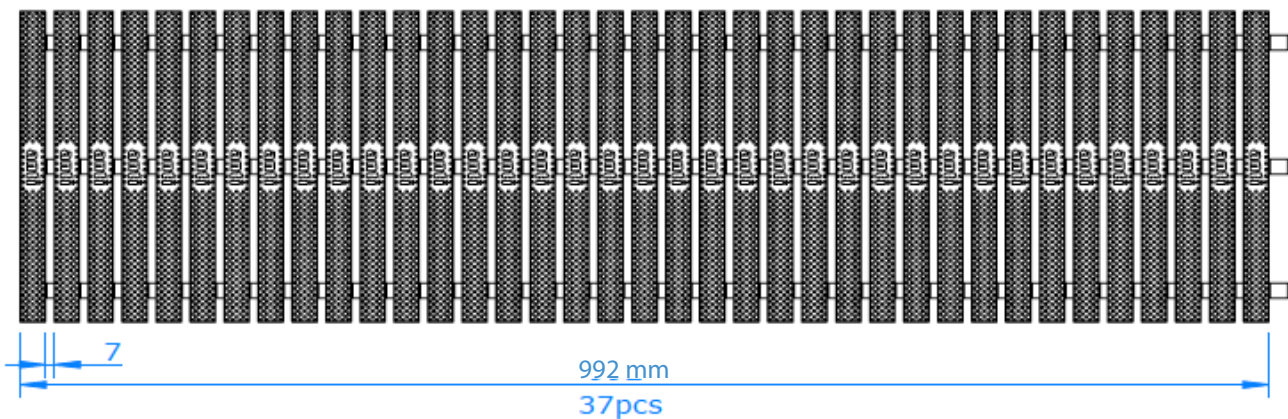
- Available in 250mm, 300mm, 350mm and 400mm width.
- Custom widths are also available - please enquire.
- Corner options available - please enquire.

Suitable For:

- Indoor and outdoor aquatic facilities
- Swimming competition facilities
- Hotel Pools and Spas • Whirlpools and similar facilities with overflow channels



Anti Wave TransGrate (above).



CODE	PRODUCT	DESCRIPTION	WEIGHT	VOLUME
AWE026	TRANSGRATE PP (/m)	250mm Width Grating	3 kg	0.01m ³
AWE027	TRANSGRATE PP	300mm Width Grating	4.7kg	0.01m ³
AWE028	TRANSGRATE PP	350mm Width Grating	5.5kg	0.01m ³
AWE029	TRANSGRATE PP	400mm Width Grating	6.0kg	
AWE026a	TRANSGRATE CORNER	90 Degree Corner	Please enquire	Please enquire



Anti Wave LongiGrate PP

Features Summary:

- LongiGrate features rigid interlocking Gratings, suitable for straight line applications where an increased load bearing structural rigidity is required.
- Excellent technical, safety and hygiene features.
- Highest specification materials, stronger structurally than TransGrate.
- Precise tolerances and production specifications.



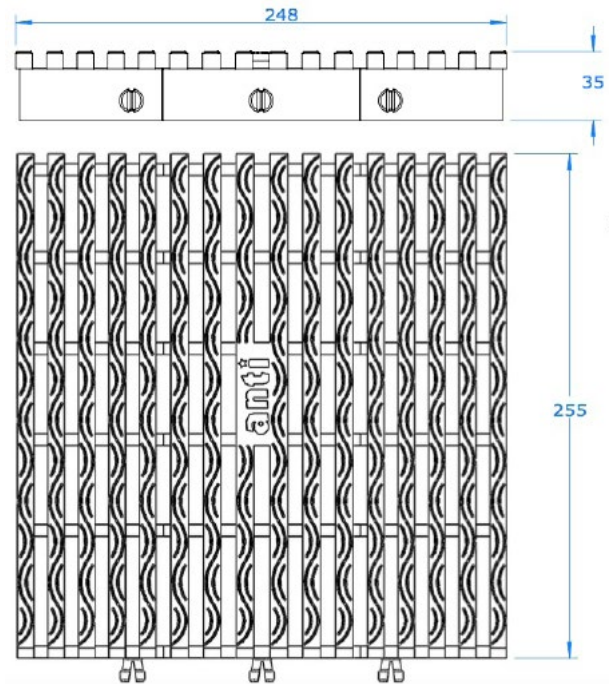
Anti Wave LongiGrate - Strong and safe.

Available Sizes:

- Available in 250mm, 300mm, 350mm, and 400mm and 450mm width.
- Corner options available - please enquire.

Suitable For:

- Indoor and outdoor aquatic facilities with overflow channels.
- Swimming competition facilities and peripheral facilities.
- Hotel Pools, Spas and similar facilities.
- Applications where load bearing strengths is required.



Anti Wave LongiGrate (above & left)

CODE	PRODUCT	DESCRIPTION	WEIGHT	VOLUME
AWE026c	LONGIGRATE PP 250mm (/m)	LongiGrate Grating	Please enquire	Please enquire
AWE027c	LONGIGRATE PP 300mm (/m)	LongiGrate Grating	Please enquire	Please enquire
AWE028c	LONGIGRATE PP 350mm (/m)	LongiGrate Grating	Please enquire	Please enquire
AWE029c	LONGIGRATE PP 400mm (/m)	LongiGrate Grating	Please enquire	Please enquire

Water Polo Equipment

Since the release of the original Anti Goal in 1972 at the Munich Olympic Games, Anti Wave have been at the forefront of the innovation, development and supply of top performance water polo competition and training equipment around the world.

Anti Wave water polo products have been selected at top national and international events since this time, and are also a favourite for the equally important smaller club, school and local water polo training and competition facilities around the world.

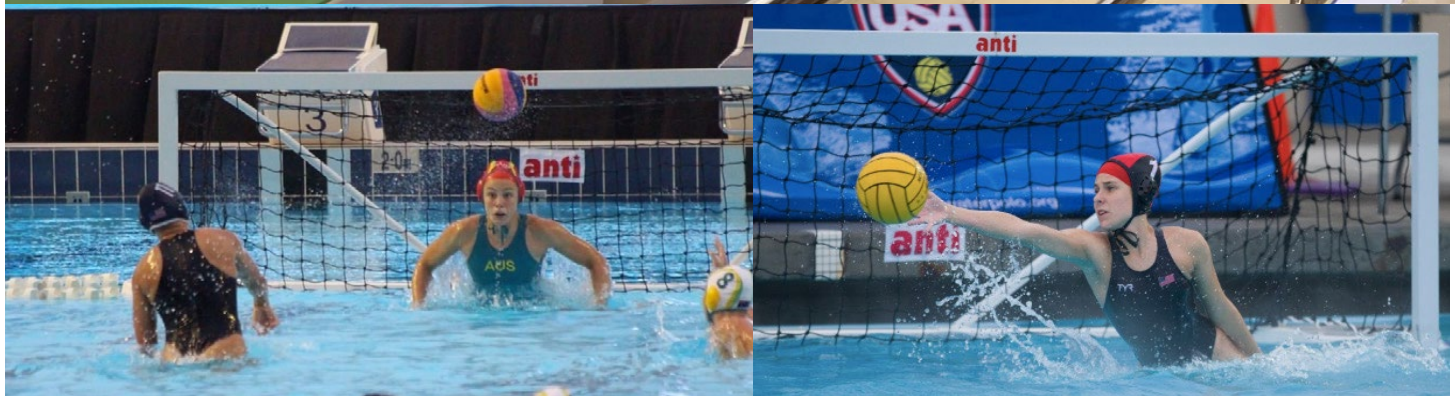
With a full range of performance competition and training facilities equipment, product comply fully with current World Aquatics and equivalent competition regulations.

With over 50 years of equipping the worlds finest water polo venues, Anti Wave are well positioned to ensure that every detail is taken into account - to make your polo training and competition facility a success.



Official Polo Field and Goals of USA Water Polo

Below: 20th FINA World Men's Junior Water Polo Championship, Kuwait 2019



Above: Anti Pro Goal 1080 FINA World League IC Cup 2019 AUS

Anti Wave USA - Official Polo Goal & Field of USA Water Polo

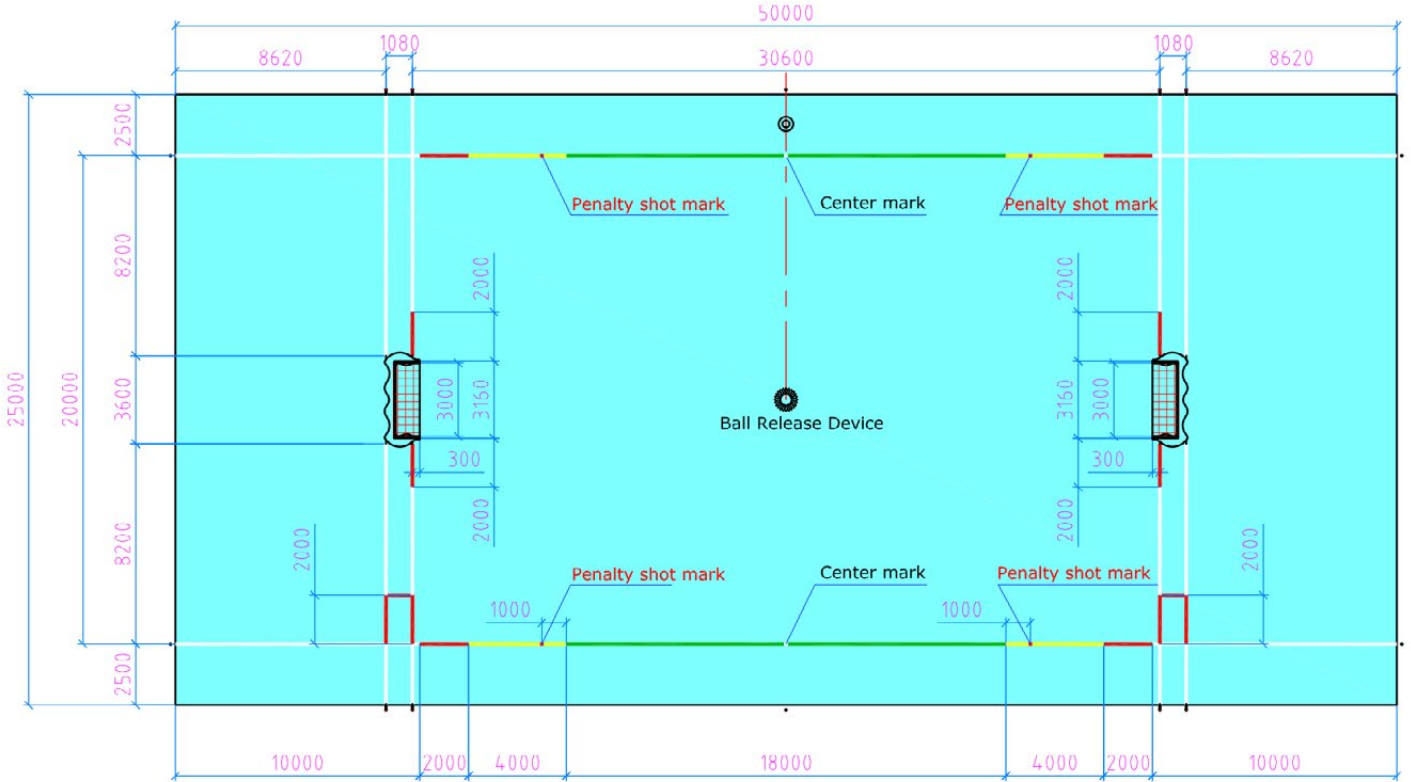


Water Polo Field of Play

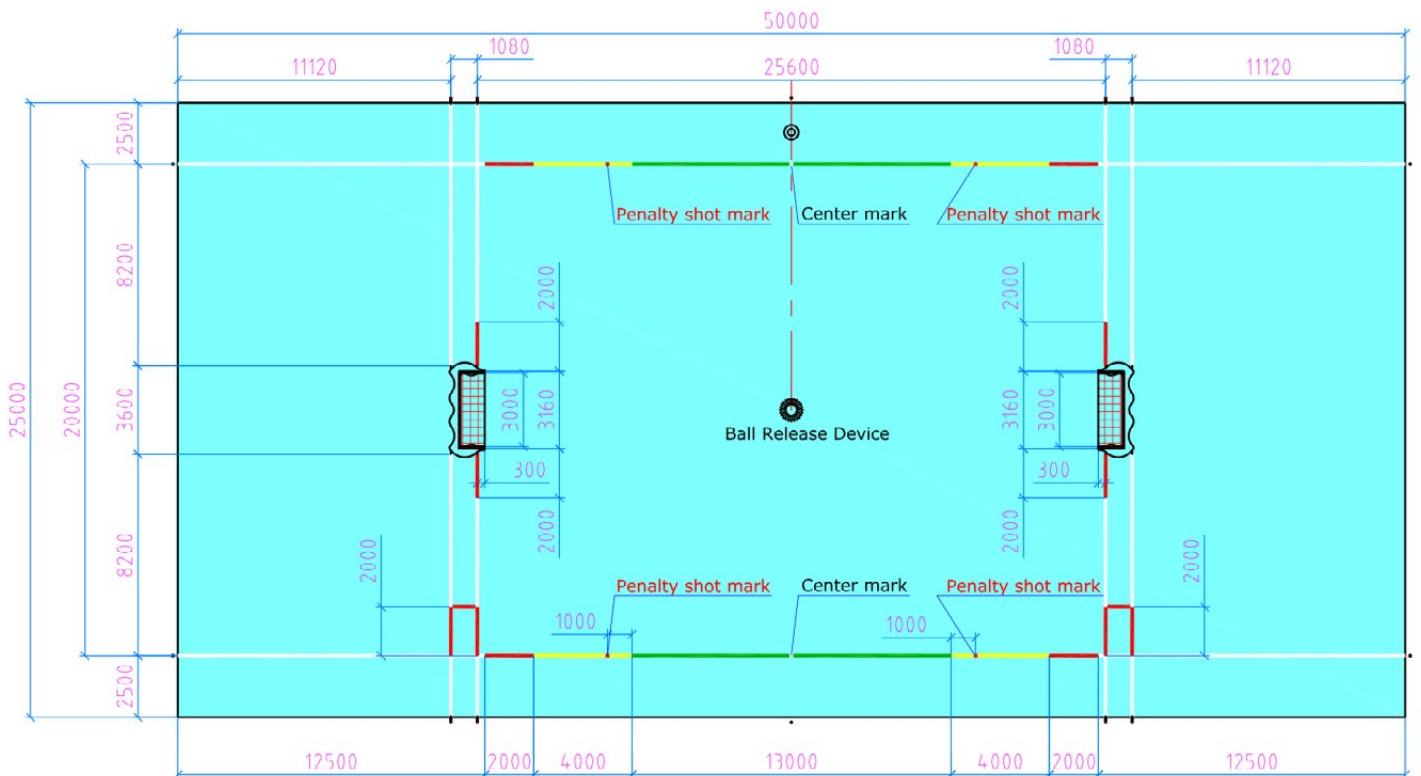
Anti Wave Competition Polo Field (Men):



Official Polo Field and Goals of USA Water Polo



Anti Wave Competition Polo Field (Women):



Anti Pro Goal 1080

Premium Competition Goal

The Anti Pro Goal 1080 is our flagship Premium Goal model, suitable for World Aquatics or equivalent level Polo competition events.

The Anti Goal 1080 represents the highest quality Goal available today, with a range of innovative features and durable non-corrosive design.

Compliant with current World Aquatics competition regulations and equivalent LEN/FIN rules.

Specifications:

- Fabricated from custom marine grade powder coated aluminium extrusions and hand-laid fibreglass for durability.
- All fittings are SS316. Bows connecting Frame to Floats are produced from powder coated marine grade aluminium.
- Long-Life HD polypropylene cord net, knotted at every intersection, ensures long service under hard use.
- Durable EVA closed cell foam floatation elements.
- Includes Lane Anchor attachment points at the 750mm and 1080mm distances for both pre and post 2015 FINA Regs.
- Pool Edge bumpers on rear of Goal Float prevent chipping of pool tiles and guttering when installing and removing from pool.
- Open corner net configuration to reduce ball rebound.
- Custom aluminium front frame cross section for maximum strength and lightest weight.
- Thick external carry handles assist with safe and easy pool deck transportation.

Anti Pro Goal 1080 Selected for:

- 2018 Commonwealth Games Gold Coast, Australia
- 2019 FINA Inter-Continental World League Cup , Perth, AUS
- 2019 FINA South East Asian Games, Clark City, PHL
- 2019 FINA World Junior Men's Water Polo Champs KUW
- 2022 Official Polo Goal of USA Water Polo, Irvine, CA
- 2023 LEN Coppa Italia Final, Genoa, Italy
- 2023 Asian Games, Singapore
- 2023 South East Asian Games, Cambodia
- 2023 Official Polo Goal of USA Water Polo, Irvine, CA
- 2024 Official Polo Goal of USA Water Polo, Irvine, CA
- 2024 LEN Coppa Italia, Genova, Italy
- 2024 LEN Champions League, EU
- 2024 Australian Premiere League, AUS



2019 FINA World League Inter-cont. Cup, Perth AUS



AWE331 Anti Pro Goal 1080 (above and right)



2019 FINA World Junior Men's Water Polo Champs

CODE	PRODUCT	DESCRIPTION	WEIGHT	VOLUME
AWE331	ANTI PRO GOAL 1080	Competition Compliant Polo Goal	46 kg	0.68m ³
AWE899	BLACK HD REPLACEMENT NET	Suit Anti Pro Goal 1080	3kg	0.03m ³
AWESPR	ALL SPARE PARTS AVAILABLE	PLEASE ENQUIRE	-	-

Anti Pro Goal 750

Anti Pro Goal 750



Official Polo Field and Goals of USA Water Polo

The Anti Goal sets the standard for international Water Polo competition equipment.

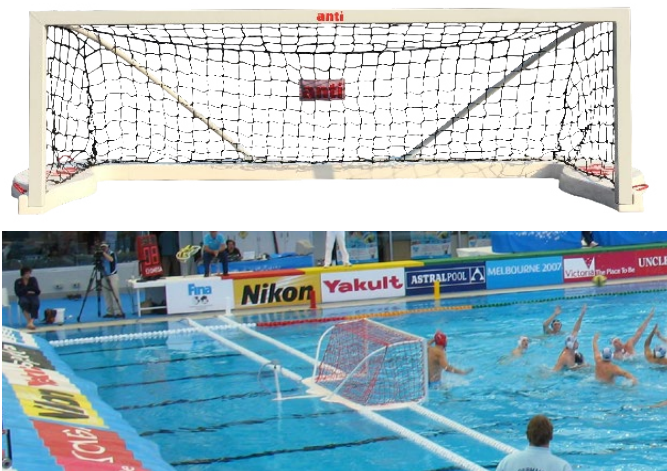
Suitable for Pre-2015 FINA compliant facilities, with distance of 750mm between goal side anchors.
Note: 2015 FINA changed the distance between the goal side anchors to 1080mm (Anti Pro Goal 1080)

Includes our HD Net and Goal is fabricated from custom marine grade powder coated aluminium extrusions and hand laid fibreglass Floats with closed cell floatation units.

Open Net configuration reduces Ball Rebound during play and powder coated aluminium construction ensures safe movement of the goal on the pool deck by two people.

Specifications:

- Fabricated from custom marine grade powder coated aluminium extrusions and hand-laid fibreglass for durability.
- All fittings are SS316. Bows connecting Frame to Floats are produced from powder coated marine grade aluminium.
- Long-Life HD polypropylene cord net, knotted at every intersection, ensures long service under hard use. Anti-Net Clip connects Net to Frame easily.
- Durable EVA closed cell foam floatation elements.
- Thick external carry handles assist with safe and easy pool deck transportation.
- Light weight design enables safe 2 person pool deck movement.
- Pool Edge bumpers on rear of Goal Float prevent chipping of pool tiles and guttering when installing and removing goal.
- Foam GRP protector-slides. Open corner net configuration to reduce ball rebound.
- Custom aluminium front frame cross section for maximum strength and lightest weight.
- Complete list of spare parts available.



AWE332 Anti Pro Goal 750 (In Pool)



AWE332 Anti Pro Goal 750 FINA World Cup Event

CODE	PRODUCT	DESCRIPTION	WEIGHT	VOLUME
AWE332	ANTI PRO GOAL 750	Competition Polo Goal 750 Spec	45 kg	0.55m ³
AWE899	BLACK HD REPLACEMENT NET	Suit Anti Pro Goal 750	3kg	0.03m ³
AWE000	ALL SPARE PARTS AVAILABLE	PLEASE ENQUIRE	-	-

Senior Folding Goal



Official Polo Field and
Goals of USA Water Polo

Senior Folding Goal 750 & 1080

The Senior Folding Goal is a full-sized competition Polo goal, dimensionally the same as the Anti Pro Goal 750 with the added benefit that it folds flat for storage. Available in traditional 750mm and 1080mm models, which has 1080mm distance between Goal Line Anchor Points - complaint with current World Aquatics regulations.

The Senior Goal is a favourite for Clubs and Training Facilities around the world. Its foldable design allows for the Goal to be stored safely with minimal storage room required.

Specifications:

- Fabricated from custom marine grade powder coated aluminium extrusions and hand-laid fibreglass for durability.
- All fittings are SS316. Bows connecting Frame to Floats are produced from powder coated marine grade aluminium.
- Net is Heavy Duty, polypropylene cord, knotted at every intersection. Anti-Net Clip connects Net to Frame securely.
- Durable EVA closed cell foam floatation elements.
- Light weight design enables easy 2 person pool deck movement.
- Pool Edge bumpers on rear of Goal Float prevent damage to pool tiles and guttering when installing and removing goal.
- Foam GRP protector-slides. Open corner net configuration to reduce ball rebound during game play.
- Custom aluminium front frame cross section for maximum strength and lightest weight.
- Thick high vis external carry handles assist with safe and easy pool deck transportation.

Please contact us to order or for further details.



AWE330 Senior Folding Goal 1080 (above) and (below) Senior Folding Goal 1080 - simple folding for convenient storage.

AWE330 Senior Folding Goal 1080 (above) and (below) Senior SS316 Hinge (below). Simple folding for convenient storage.

CODE	PRODUCT	DESCRIPTION	WEIGHT	VOLUME
AWE330	SENIOR FOLDING GOAL 750	Senior Folding Goal 750 with Black Net	45 kg	0.55m ³
AWE334	SENIOR FOLDING GOAL 1080	World Aquatics compliant Polo Goal	46 kg	0.55m ³
AWE899	BLACK HD REPLACEMENT NET	Suit Senior Goal 750 & Anti Pro 1080.	3kg	0.03m ³
AWE000	ALL SPARE PARTS AVAILABLE	PLEASE ENQUIRE	-	-

Global Anti Goal - SNR

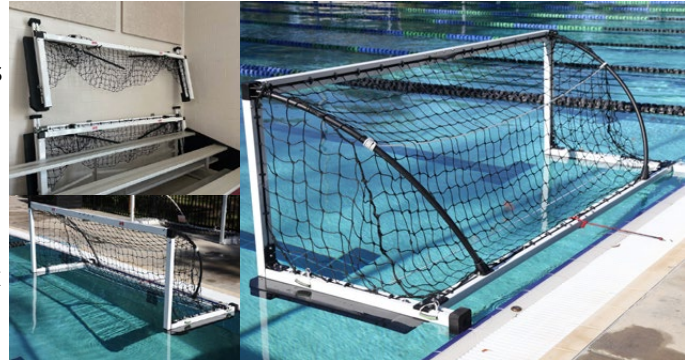


Official Polo Field and
Goals of USA Water Polo

The Global Anti Goal blends cutting edge materials and production with innovative design, resulting in a light weight, heavy duty, compact, full sized Polo Goal that meets the needs of all Clubs and Facilities around the world.

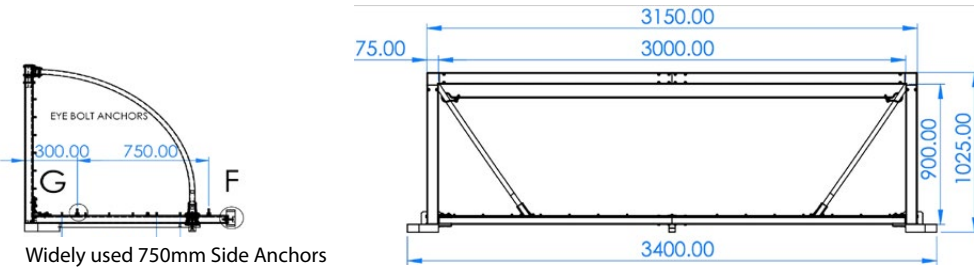
Each component and fitting has been carefully selected and tested for maximum durability and longevity, even under the most severe player and environmental conditions.

Designed for most economical international freight, offered ex works Australia with discounted Air Courier rates available to most countries.



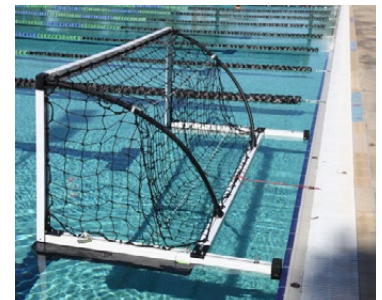
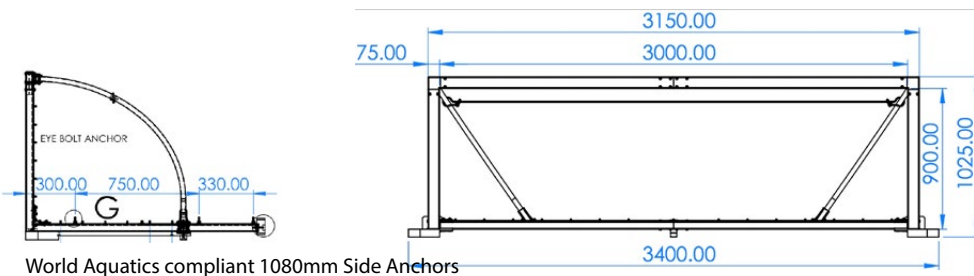
Left : Compact storage, Bottom Left & Right: Excellent stability

AWE392 1.2m Global Anti Goal



AWE392 Global Anti Goal 1.2m (above)

AWE394 1.4m Global Anti Goal



AWE394 Global Anti Goal 1.4m (above)

Product Specifications:

- Fabricated from custom marine grade powder coated Aluminium with HD Marine Nylon & SS316 fittings.
- Easily foldable for compact and safe poolside storage.
- Includes Long-Life HD polypropylene cord net.
- Marine Nylon Net Clips ensure simple and secure Net Installation.
- Soft Durable Pool Edge bumpers on rear of frame prevent damage to expensive pool edge and tiles.
- Durable oversized HD PE Flotation elements ensure stability during use, foam elements rest on the pool concourse, preventing damage to pool edge and tiles.

- Open corner net configuration reduces ball rebound.
- Quick disconnect Bows for compact folding and low profile storage.
- Easy 1 or 2 person pool deck movement.

Available in 1.2m and 1.4m side depth configurations.
Both 1.2m and 1.4m models have 3m x 0.9m Goal Face.

Total weight is AWE392 26kg/ AWE394 28kg. Compact light weight Shipping dimensions for efficient Freight options.

Comprehensive list of spare parts available.
All parts designed and produced in Australia.

CODE	PRODUCT	DESCRIPTION	WEIGHT	VOLUME	PRICE
AWE392	GLOBAL ANTI GOAL 1.2m Depth	Competition Polo Goal, 1.2m, Goal Depth	27 kg	0.30m ³	Please enquire
AWE394	GLOBAL ANTI GOAL 1.4m Depth	Competition Polo Goal, 1.4m Goal Depth	29 kg	0.30m ³	Please enquire
AWE593	BLACK HD REPLACEMENT NET	Suit Global Anti Goal AWE394/394	1.5kg	0.03m ³	Please enquire
AWE000	ALL SPARE PARTS AVAILABLE	PLEASE ENQUIRE	-	-	

Global Anti Goal 1.2m

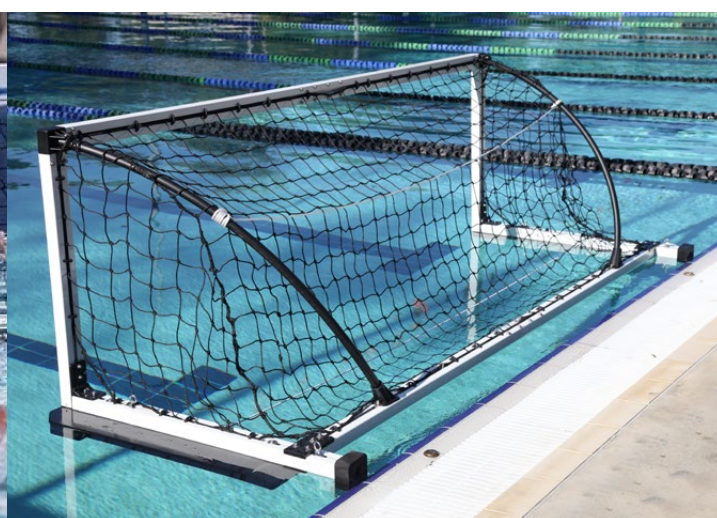
Global Anti Goal SNR 1.2m Model

The 'Global Anti Goal' is a Premium, heavy duty, folding polo goal; compact, high quality & durable design, produced with the finest available components. Made in Australia to the highest specifications for ultimate durability!

Each component and fitting has been carefully selected and tested for maximum durability and longevity, even under the most severe player and environmental conditions.

Product Specifications:

- Fabricated from custom marine grade powder coated Aluminium with HD Marine Nylon & SS316 fittings.
- Easily foldable for compact and safe poolside storage.
- Includes Long-Life HD polypropylene cord net. Best in Class.
- Soft Durable Pool Edge bumpers on rear of frame prevent damage to expensive pool edge and tiles.
- Durable oversized HD PE Flotation elements ensure stability during use, foam elements rest on the pool concourse, preventing damage to pool edge and tiles.
- Open corner net configuration reduces ball rebound.
- HD Rear Bows allow quick disconnect of lower rear frame to goal top frame for compact folding and low profile storage.
- Durable, light weight, heavy duty design and construction allowing safe and easy 1 or 2 person pool deck movement.
- Full sized Mens World Aquatics compliant Front Frame Dimensions 3m x 0.9m. Depth is 1.2m.
- SS316 Eye loops (750mm width) each side of goal for lane line attachment.
- Total weight is 24kg. Compact light weight Shipping dimensions for efficient Freight options.
- Comprehensive list of spare parts available. Made in Australia All parts designed and produced in Australia.



2023 USA Water Polo International Showcase Event, Irvine, USA

CODE	PRODUCT	DESCRIPTION	WEIGHT	VOLUME	PRICE
AWE392	GLOBAL ANTI GOAL 1.2m Depth	Competition Polo Goal, 1.2m, Goal Depth	27 kg	0.30m ³	Please enquire
AWE593	BLACK HD REPLACEMENT NET	Suit Global Anti Goal AWE394/394	1.5kg	0.03m ³	Please enquire
AWE000	ALL SPARE PARTS AVAILABLE	PLEASE ENQUIRE	-	-	



Global Anti Goal 1.4m



Official Polo Field and Goals of USA Water Polo

Global Anti Goal SNR 1.4m

The 'Global Anti Goal' is a Premium, heavy duty, folding polo goal; compact, high quality & durable design, produced with the finest available components. Made in Australia to the highest specifications for ultimate durability!

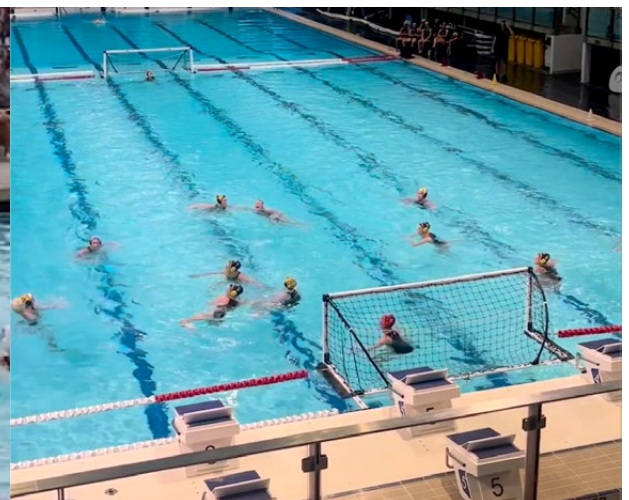
Each component and fitting has been carefully selected and tested for maximum durability and longevity, even under the most severe player and environmental conditions.

Product Specifications:

- Fabricated from custom marine grade powder coated Aluminium with HD Marine Nylon & SS316 fittings.
- Easily foldable for compact and safe poolside storage.
- Includes Long-Life HD polypropylene cord net. Best in Class.
- Soft Durable Pool Edge bumpers on rear of frame prevent damage to expensive pool edge and tiles.
- Durable oversized HD PE Flotation elements ensure stability during use, foam elements rest on the pool concourse, preventing damage to pool edge and tiles.
- Open corner net configuration reduces ball rebound.
- Compliant with current World Aquatics regulations.
- HD Rear Bows allow quick disconnect of lower rear frame to goal top frame for compact folding and low profile storage.
- Durable, light weight, heavy duty design and construction allowing safe and easy 1 or 2 person pool deck movement.
- Full sized Mens World Aquatics compliant Front Frame Dimensions 3m x 0.9m.
- World Aquatics compliant goal with 1.4m side depth with 2pc SS316 Eye loops (1080mm width) each side for lane line attachment (Includes 750mm anchor point for older pools).
- Total weight is 28kg. Compact light weight Shipping dimensions for efficient Freight options.
- Comprehensive list of spare parts available.
- All parts designed and produced in Australia.



USA Water Polo Finals Event, Irvine, USA



Australian Premier League Final, Sydney, Australia

CODE	PRODUCT	DESCRIPTION	WEIGHT	VOLUME	PRICE
AWE394	GLOBAL ANTI GOAL 1.4m Depth	Competition Polo Goal, 1.4m Goal Depth	29 kg	0.30m ³	Please enquire
AWE593	BLACK HD REPLACEMENT NET	Suit Global Anti Goal AWE394/394	1.5kg	0.03m ³	Please enquire
AWE000	ALL SPARE PARTS AVAILABLE	PLEASE ENQUIRE	-	-	

Global Anti Goal - JNR

AWE390 Global Anti Goal JNR Model



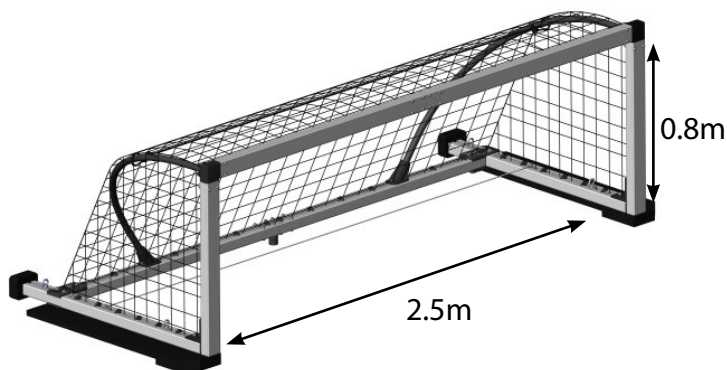
Official Polo Field and Goals of USA Water Polo

The Global Anti Goal JNR Model is designed and produced in Australia to the highest specifications.

Compliant with all current World Aquatics JNR and FINA BEACH POLO Competition regulations.

The Global Anti Goal blends cutting edge materials and production with innovative design, resulting in a durable, full sized Polo Goal, perfectly suited to all Clubs and Polo facilities.

Below: Global Anti Goal JNR Model



AWE390 JNR/BEACH POLO Global Anti Goal shown above



Product Specifications:

- Fabricated from custom marine grade powder coated Aluminium with HD Marine Nylon & SS316 fittings.
- Easily foldable for compact and safe poolside storage.
- Includes Long-Life HD polypropylene cord net.
- Marine Nylon Net Clips ensure simple and secure Net Installation.
- Soft Durable Pool Edge bumpers on rear of frame prevent damage to expensive pool edge and tiles.
- Durable oversized HD PE Flotation elements ensure stability during use, foam elements rest on the pool concourse, preventing damage to pool edge and tiles.
- Open corner net configuration reduces ball rebound.
- PVC Bows allow quick disconnect of lower rear frame to goal top frame for compact folding and low profile storage.
- Durable, light weight, heavy duty design and construction allowing safe and easy 1 or 2 person pool deck movement.
- JNR Model has 2.5m x 0.8m Front Goal Face dimensions.
- Total weight is AWE390 is 20kg. Compact light weight Shipping dimensions for efficient Freight options.
- Comprehensive list of spare parts available.
- All parts designed and produced in Australia.

Customer Testimonial:

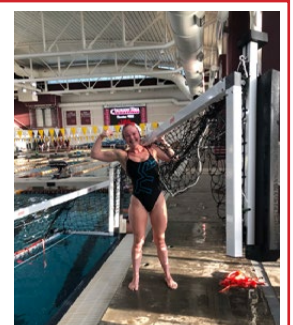
Concerning our new Anti Global Goals, we LOVE that the Goals are Light and durable, well constructed, quality product. The Rear Cross frame cable holds many balls for easy access during training, the cage floats perfectly with highest quality foam floats, the goal folds easily for storage and looks great. Warm Regards, George Stransky, Alaska.

Prof. Dr. George Stransky, Anchorage, Alaska, 20 June 2021
- 1964 Tokyo Olympics Goalie for USA
- FINA Masters 70+ Gold Montreal 2014

Customer Testimonial:

Got to say we love our new goals!!! I think this picture says it all. Easy for one person to handle. They float perfectly and fold up when we are done. Amazing! Thanks Anti & Anton. This is a great product.

John Hildebrand
Coach - Colorado Mesa University
USA



Global Goal Expert Feedback

Mrs Nicola Johnson, FINA Water Polo Referee (2021 Tokyo Olympics):

The new Anti goal is the best goal I have seen in over 30 years of water polo, it is light weight (one person can put the goal in and out of the pool), it is very durable and I love the training rod along the back of the goal that allows for balls to be stored in the back of the net during training sessions, this is such a great inclusion, go easy for the GK to reach for a ball when needed. The goals are also easy to store as they fold into a very compact area. Regards, Nicola Johnson, Brisbane, Australia, 2021

Mr Tom Hoad, OAM, cit WA, BA (UWA), Australian Olympic Representative Rome 1960 - Captain Australian Olympic Team 1964,1968,1972 - Coach Australian Olympic Team 1976,1980,1984 - Chairman Organising Committee FINA World Champs Perth 1991 and 1998,1988:

I can not recommend the new Anti Wave Aluminium Goal highly enough as its revolutionary design makes it the best water polo goal I have ever seen in almost 70 years of international water polo in all 5 continents. The new goal is made in Australia by Anti Wave, who have been making goals since 1972 Munich Olympics. The new Anti Aluminium Goal's main outstanding attribute is its light weight which can easily be carried by one adult or two young players. Its light weight and steadiness in the water while it folds easily and has some other unique features. The one I like the most is when as a Coach you are refereeing a training game, and a shot at goal is missed by one of the teams there is a wire restraining spare balls in the back of the goal and so the opposing goalie can simply reach for one of the balls, to continue with the game and the goal throw immediately and capitalise on any counter attack that may ensue from the missed goal shot. It conforms completely with all competition specifications. I am enthusiastically endorsing this new water polo goal and I testify that I am receiving no financial or other incentive to do so but simply because I believe it is a fantastic product for the sport of Water Polo. Tom Hoad, Canberra, Australia, 2021



Above: Global Anti Goal now shipped to 62 Countries, a world favourite!

JNR Conversion Kit

JNR Goal Conversion Kit (suits all SNR Global Goals)

The Anti Wave JNR Conversion Kit provides a simple and innovative solution for clubs to convert their existing SNR & Anti Goals to JNR Goal face dimensions in a matter of seconds.

The Kit is secured to the Goals with supplied SS316 Wingnuts and once fixed firmly in place the Kit converts the SNR dimension Goals (3m x 0.9m Goal face) to JNR Dimension Goal Face.



Above: JNR Goal Foam Conversion Kit, Yeronga Park Pool, Australia

Key Features:

- Quickly and easily converts an Anti Wave SNR Folding Goal or Anti Pro Goal to JNR Goal face dimensions.
- Installs in a matter of seconds via SS316 quick release wing nuts, installs into the existing Goal face channel.
- Durable HD PE Foam elements convert the goal face to the JNR Goal dimensions.
- Packs away into small volume, easy to carry and store.
- All fittings are non-corrosive marine grade Nylon, and SS316.
- HD PE Foam Elements ensure no sharp corners or hard edges, safe for use with all ages.
- Kit includes all parts required to convert each 1pc Goal.
- Converts Goal face from 3m x 0.9m (SNR) to 2.6m x 0.9m(JNR).
- Made in Australia.
- Shipping Globally via flat rate UPS Air Courier to most OECD Countries.
- Direct online ordering available - please contact us.

CODE	PRODUCT	DESCRIPTION	WEIGHT	VOLUME
AWE333	JNR Goal Conversion Kit	Convert SNR Goal to JNR Goal	2.1kg	0.05m ³
AWE333S	ALL SPARE PARTS AVAILABLE	PLEASE ENQUIRE	-	-

Global Inflatable Goals

The Global Inflatable Goal Range blends high quality, durable materials and components with a compact and easy to transport design. A durable and affordable inflatable option for polo clubs and pools for both training and competition. Models include SENIOR Polo, BEACH Polo, and JUNIOR Polo sizes; catering for Adult clubs as well as the very popular international World Aquatics Beach Polo & also Jnr Habawaba Youth Polo competition formats. The goals include a tough PVC Carry Bag and High Volume Foot Pump for quick inflation.



Official Polo Field and Goals of USA Water Polo



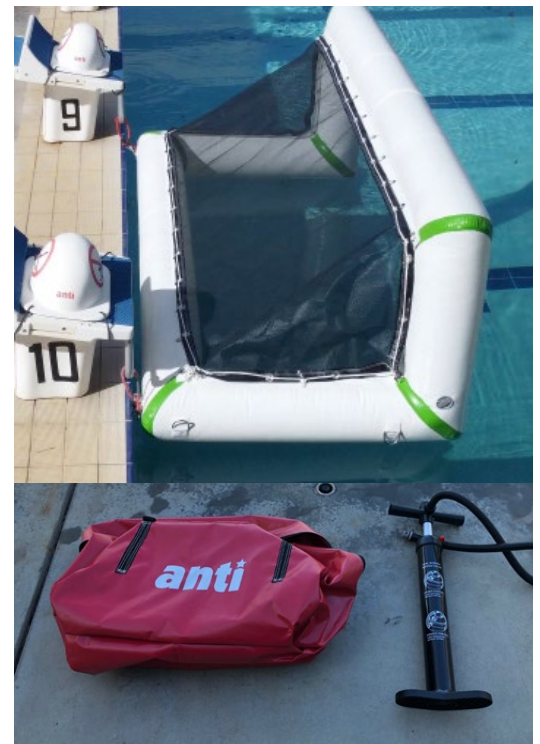
Above: JNR Inflatable Model 2.15m x 0.75m x 1.0m



Above & Below: JNR Inflatable Model 2.15m x 0.75m x 1.0m

Specifications:

- Heavy Duty Marine Grade PVC-coated Nylon material with SS316 Fittings.
- Heavy Duty One-way Inflation Valves for reliable, straight forwards inflation and deflation with provided high volume foot pump.
- 2pc Oversized SS316 D-rings located on each side of the Goal for simple connection of the Goal Line tethers from the side of the pool, or from behind to pool edge or bulkhead.
- HD Carry bag is designed to be slightly oversized in order to easily return the deflated goals to the bag, and to carry both the goal and foot pump, as well as other small items as needed.
- Includes High Volume heavy duty foot pump (fits in bag)
Puncture repair kit also included.
- Black Net included, removable and replaceable.
Net is Pre-installed.
- Inflatable Goal Models:
 - SNR Inflatable Goal 3.00m L x 0.9m W x 1.2m D
 - BEACH POLO 2.50m L x 0.8m W x 1.1m D
 - JNR Model 2.15m L x 0.75m W x 1.0m D



Above: Durable PVC Carry Bag and High Volume Foot Pump

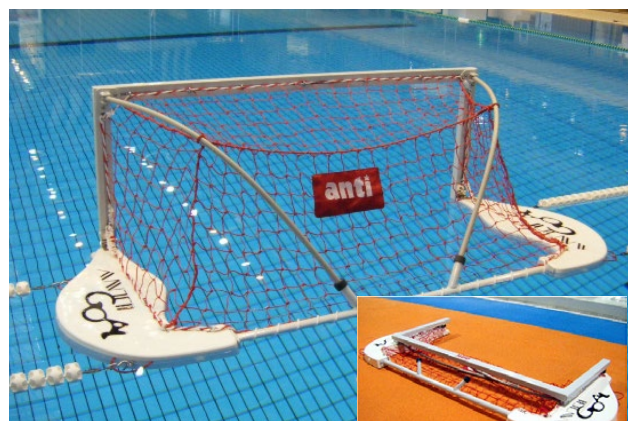
CODE	PRODUCT	DESCRIPTION	WEIGHT	VOLUME
AWE495	ANTI SNR INFLATABLE GOAL	SNR Inflatable Goal with Net, bag and pump	13.5kg	0.13m ³
AWE494	ANTI BEACH INFLATABLE GOAL	BEACH POLO Inflatable Goal with Net, bag and pump	12.0kg	0.11m ³
AWE493	ANTI JNR INFLATABLE GOAL	JNR Inflatable Goal with Net, bag and pump	11.7kg	0.11m ³
AWE492a/b/c	BLACK REPLACEMENT NET KIT	Suits AWE495/AWE494/AWE493	1kg	0.02m ³
AWE499	HIGH VOLUME FOOT PUMP	SUITS ALL MODELS	1kg	0.03m ³
AWE000	ALL SPARE PARTS AVAILABLE	PLEASE ENQUIRE	-	-

Water Polo Equipment

Flippa/Junior Folding Goal

The Folding Goal is also available in a junior Flippa version which is two-thirds the size of the Senior and produced specifically for the new and exciting 'Flippa' Polo.

- Produced to Anti Wave's high standards with stable flotation panels and durable hand-laid fibre glass.
- Ideal for Junior Polo, or any location where a full-size competition goal is not needed.
- Includes Heavy Duty Net
- Front Frame Dimensions are 2m x 0.7m



Flippa/Junior Folding Goal • Upright & Folded

Tall Universal Wall Goal

The Anti Wave Universal Wall Goal is designed to fit on the pool edge or installed onto a moveable bulkhead. The Tall Wall Goal has front frame dimensions of 3m x 1.5m.

Durable canvas and our Black HD Nets protect the pool edge blocks and equipment from ball impact.

The Wall Goals is installed via deck hole anchors, for easy installation and removal.

Short Universal Wall Goal

The Short Universal Wall goal is has front frame dimensions or 3m x 0.9m.

Durable canvas and our Black HD Nets protect the pool edge blocks and equipment from ball impact.

The Wall Goals is installed via deck hole anchors, for easy installation and removal.



Above: Short Universal Wall Goal, CA USA



Above: Tall Universal Wall Goal



Above: Short Universal Wall Goal

CODE	PRODUCT	DESCRIPTION	WEIGHT	VOLUME
AWE329	JUNIOR FOLDING GOAL	Junior Folding Goal with Net	33 kg	0.35m ³
AWE898	REPLACEMENT NET RED	To suit JNR Folding Goal	2kg	0.03m ³
AWE328	ANTI SHORT WALL GOAL	With Net and Canvas	50 kg	0.57m ³
AWE139	ANTI TALL WALL GOAL	With Net and Canvas	58kg	0.61m ³

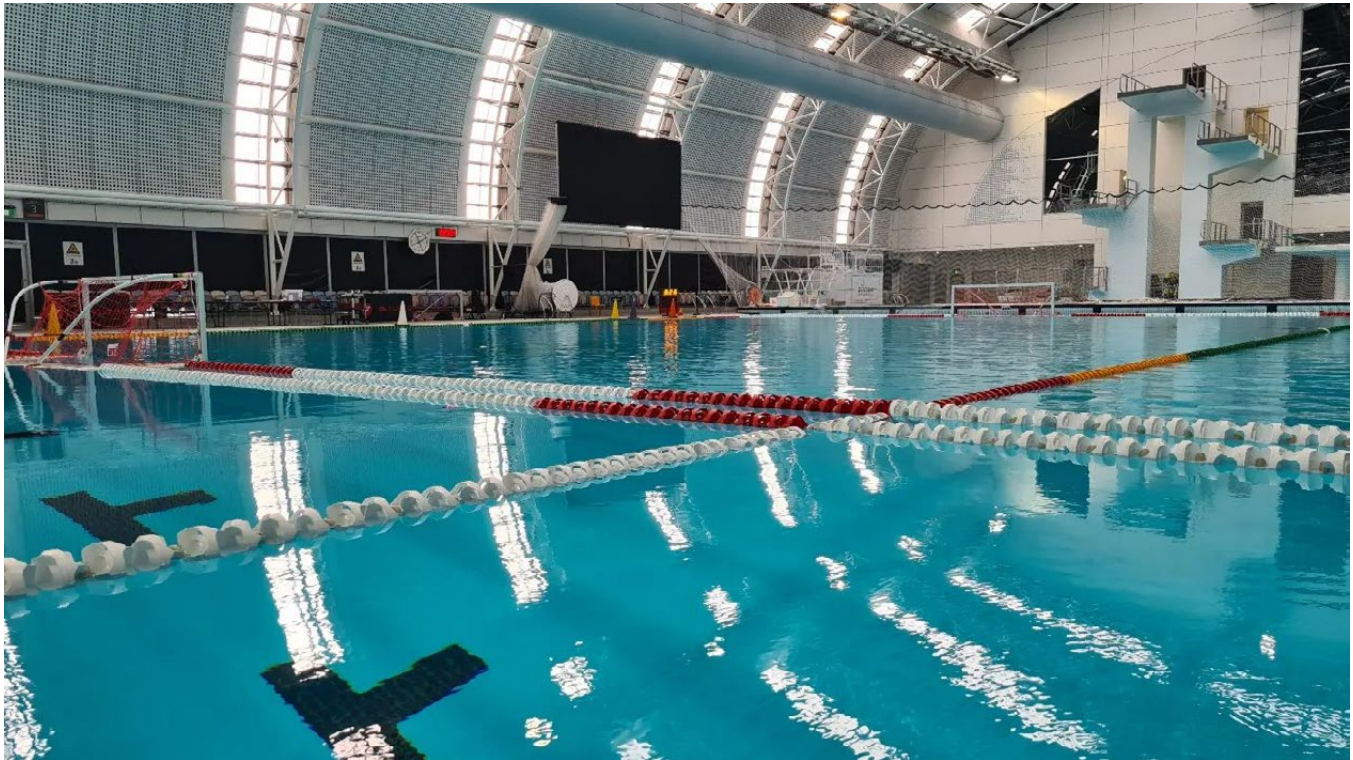


Water Polo Field Lines

Anti Wave Polo Field lines are used around the world from local club matches to top level World Aquatic World Cup, Olympic, LEN, FIN, USA Water Polo and equivalent global competitions and event venues.

Includes complete water polo field of play (men's or women's) as per current World Aquatics regulations.

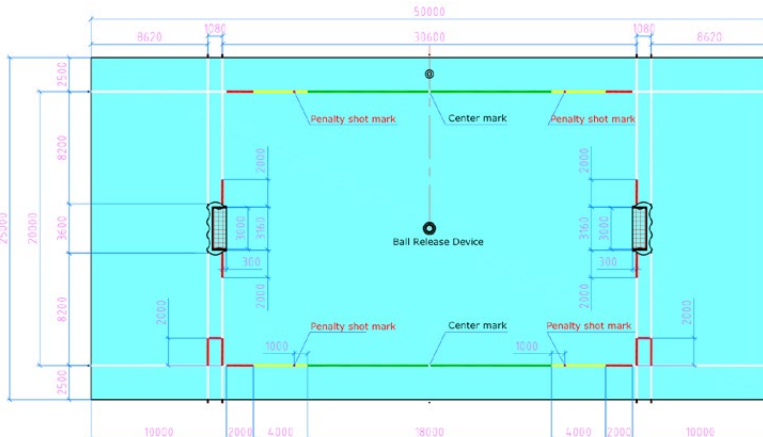
Anti Wave are water polo field of play experts, please contact us for more information and details.



Anti Wave Competition Polo Field - as per current World Aquatics regulation colours



Official Polo Field and Goals of USA Water Polo



Above: Men's competition polo field layout



Above: Women's Polo Field, AUS Premiere League

CODE	PRODUCT	DESCRIPTION	WEIGHT	VOLUME
AWE323M	POLO FIELD LINES COMPLETE	MIDI 188m MENS Polo Field	175kg	3.0m ³
AWE323W	POLO FIELD LINES COMPLETE	MIDI 188m WOMENS Polo Field	175kg	3.0m ³
AWEPOC	CUSTOMER POLO FIELD	AS PER CUSTOMER NEEDS	-	-

Polo Game Start Up Set

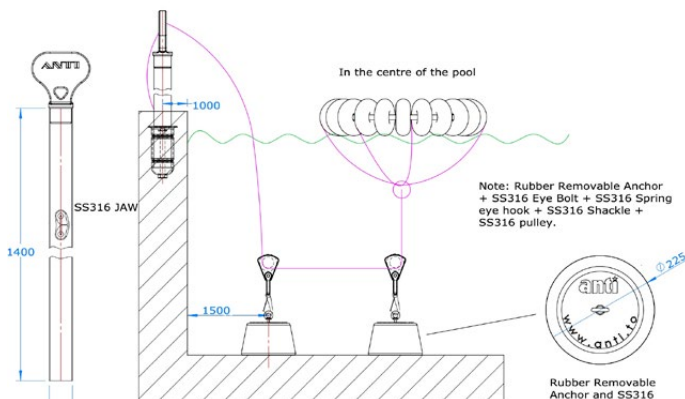
Polo Game Start Up Set

The Polo Game Start Up Set ball release system provides a consistent and accurate start to every game.

The starting ring is held in place inside the playing field by easily removable weights resting on the pool floor. The SS316 Pole is anchored to the pool deck by the SS316 Deck Hole Anchor. The start rope attaches to the SS316 pole quick release jaws.

At the start of play, the ring is pulled under the water, and the ball is released as players approach the ball.

Meets all current World Aquatics Regulations.



2019 FINA World Mens Junior Water Polo Champs - Polo Start Set

Polo Inflatable BackStop

The Polo Inflatable backtop provides protection of deck equipment such as starting blocks during competition from wayward shots.

Also provides opportunity for display of advertising and competition branding.

- Produced from Reinforced PVC with non return valve and includes pump and patch kit.



2019 FINA World Mens Junior Water Polo Champs - Polo Backstop

CODE	PRODUCT	DESCRIPTION	WEIGHT	VOLUME
AWE324	POLO GAME START UP	World Aquatics compliant	15KG	0.3m ³
AWE312	POLO INFLATABALE BACKSTOP	20m x 2m x 0.85m	TBA	TBA

Water Polo Equipment

Players Bench



Players Bench • Polo Field

The Anti Wave Players Bench comes in a set of two benches with each bench seating 9 Players.

- Individual Seats mounted on a rugged powder coated aluminium frame.
- Rugged and weather proof with the provision for the display of team colours.

Officials Platform

The Officials platform provides sufficient space for official tables and equipment and is designed to allow of electronic cableing with access points in the deck protected by patented circular covers.

- Produced from hand laid Fibreglass for strength and durability.
- Each unit is 1.0m x 1.25m to accomodate timing and game management systems.
- Access from the concourse is by sturdy composite plastic steps.
- For competition, ten units, two rows deep are recommended (total of 20 units).

Referee Walkway



2020 FINA World Mens Junior Water Polo Champs

The Anti Wave Referees Walkway provide a stable, elevated platform running the full length of the field. Provision for advertising each side.

- Surface is colour coded to comply with the latest Fina regulations and visible from the water.
- All fittings are SS316 stainless steel; the walkways are produced in tough and durable Fiberglass, and finished with custom moulded non-slip tops.
- World Aquatics compliant.



Anti Wave Referee Walkway Officials Platform, FINA Comp 2019

CODE	PRODUCT	DESCRIPTION	WEIGHT	VOLUME
AWE316	PLAYERS BENCH SET	ALU - Set of 1, Seats 9 Players	130kg	2.82m ³
AWE321	REFEREE WALKWAY	GRP/ALU - World Aquatics compliant	23 kg	0.16m ³

Water Polo Equipment

Goal Judge Chair & Polo Ball Holder



The Goal Judges Chair is produced from engineering plastics and aluminium and fixes either into the pool deck or the POLO walkway via SS316 Deck Hole Anchors.

- Produced from engineering plastics.
- Sold in sets of two (2), see table below.

Polo Ball holder is produced from high grade aluminium and fixes either into the pool deck or the POLO Walkway via deck hole fittings.

Water Polo Caps



The Anti Wave Polo Caps are designed for Competition and training.

- Polo caps feature sturdy mesh construction and stitching with comfortable ear caps.
- Adult size available
- Each set of the Caps includes 12pc Blue caps, 12pc White Caps and 4pc Red Caps.

Water Polo Balls



- Suitable for standard competition and designed for grip, visibility and durability.

Goal Targets

The Anti Wave Goal Targets provide an easily installed Goal Target for Water Polo Target training.

When successfully hit by the shooter the Targets make an audible slapping sound.



CODE	PRODUCT	DESCRIPTION	WEIGHT	VOLUME
AWE320	OFFICIALS PLATFORM	GRP/ALU - World Aquatics compliant	29 kg	0.20m ³
AWE318	GOAL JUDGE CHAIR	Set of 2 - Attaches to Walkway	14 kg	0.15m ³
AWE313	WATER POLO CAPS ADULT	Set of 28, White and Blue w 2 red	3.0 kg	0.020m ³
AWE590	GOAL TARGETS	Water Polo Training Targets	0.01 kg	0.01m ³

Premium Water Polo Balls

Anti Wave Premium Water Polo Balls are produced to the highest specifications and are suitable for both training and competition. Available in Size 3, 4 and 5, and with a fresh range of colour combinations for excellent visibility. Featuring premium materials for ultimate durability.



Above Left: Size 3 Junior, Middle: Size 4 Womens, Right: Size 5 Mens

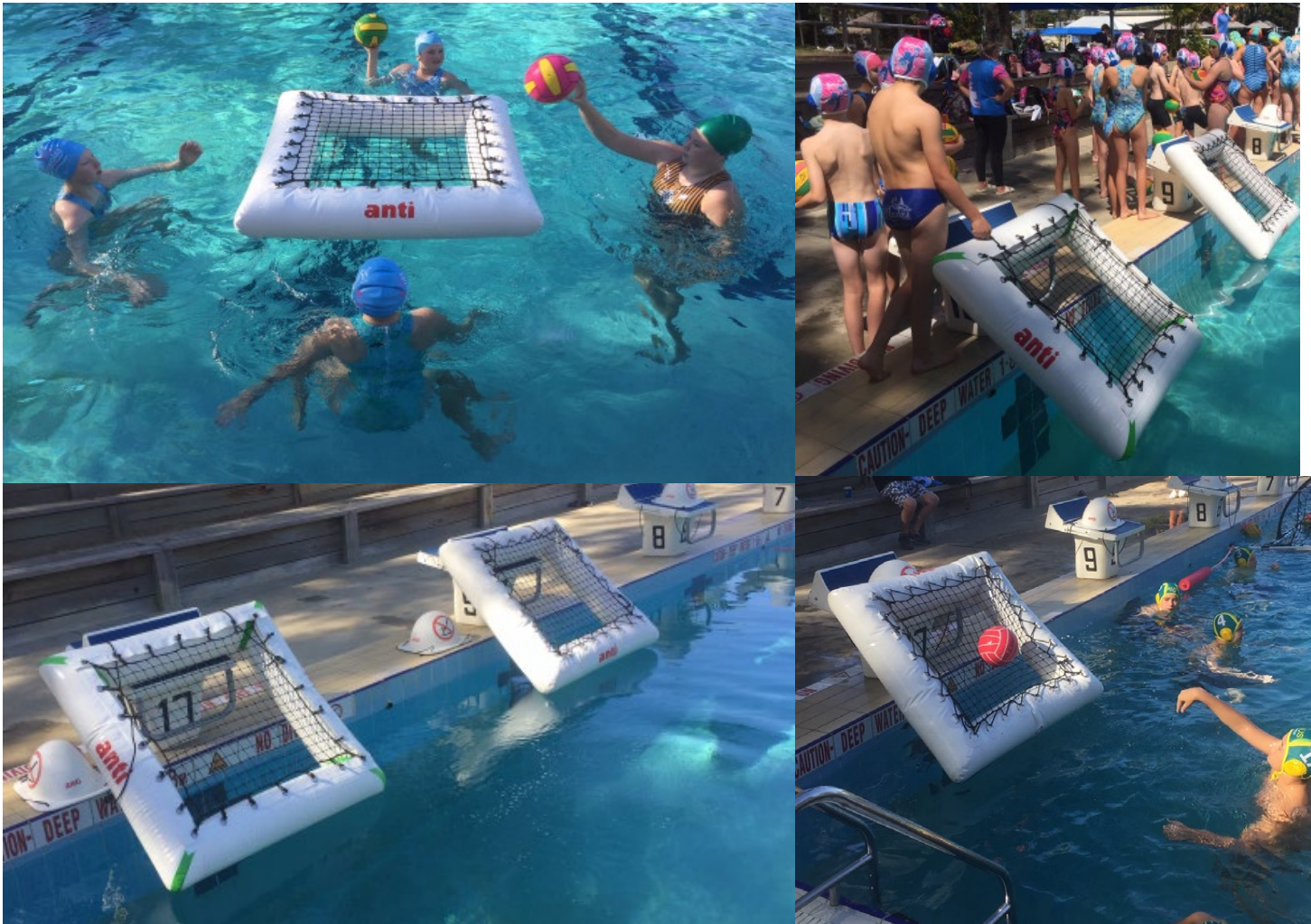
Product Specifications:

- Premium grade, highly durable PoloGrip Ball with excellent visibility in all playing conditions.
- Developed in collaboration with top Polo Clubs and Teams around the world, to suit all conditions.
- Size 3 PoloGrip Training and Competition Ball is the official size for Boys and Girls 12U Water Polo.
- Size 4 PoloGrip Training and Competition Ball is the official size for Women's training and competition and meets the specifications as set out by LEN, FINA and World Aquatics for Water Polo.
- Size 5 PoloGrip Training and Competition ball is the Official size for Men's Water Polo and meets the specifications as set out by LEN, FINA and World Aquatics for Water Polo.
- Now available in all countries with Discounted Air Courier freight available, please contact us for details on how to order in your country.

CODE	PRODUCT	DESCRIPTION	WEIGHT	VOLUME
AWEBA3	JNR Ball Size 3	Green and Yellow Premium Grade JNR Ball	0.25kg	0.001cbm
AWEBA4	Women's Ball Size 4	Pink and Yellow Premium Grade Women's Ball	0.30kg	0.001cbm
AWEBA5	Men's Ball Size 5	Red and Yellow Premium Grade Men's Ball	0.42kg	0.001cbm

Inflatable Rebound Trainer

The Inflatable Rebound Trainer is a new inflatable rebound training device that can be used in a variety of ways to enhance Polo training. The Rebound Trainer can be floated on the pool surface for group passing and body elevation drills, or it can be propped up against the Starting blocks for wet rebound training drills. The device can also be used for dry land training drills, and a host of other configurations - the sky is the limit.



Product Specifications:

- Built to the same high specifications as our very popular Inflatable Polo Goal range.
- Premium grade, highly durable Marine Nylon tubing with heavy duty valve and pump.
- Includes Black Heavy Duty Net attached with Marine Bungy Loops for a strong and long lasting spring effect.
- Comes with inflation tube and foot pump. HD Inflation Valve included.

CODE	PRODUCT	DESCRIPTION	WEIGHT	VOLUME
AWEPR1	Polo Rebound Trainer	Inflatable Polo Rebound Training Device	0.25kg	0.001cbm
AWEPRN	Spare Net	Inflatable Polo Rebound Training Device Net Black	0.01kg	0.001cbm

FRP Movable Bulkhead

Anti Wave Movable FRP Bulkhead

The Anti Wave Movable Bulkhead sets the international standard for Bulkhead pool configuration and programmability. South East Asian Games Venue Bulkhead, 2019

Anti Wave has developed a high-precision corrosion resistant bulkhead that successfully meets all World Aquatics and equivalent competition regulations.

Anti Wave Bulkheads utilise cutting edge FRP production to ensure precision tolerances and a clean aesthetic design that is complimentary to the Pool.

Please visit us at www.anti.to to request an information package, or contact us for more information.



Innovation, practicality and durability • Anti Wave Movable World Aquatics compliant Bulkhead, since 1985

Submersible SwimWall

Anti Wave Submersible SwimWall System

The Anti Wave Submersible Swimwall is locked flat on the pool floor when not in use and can be raised in moments when required by introducing compressed air using supplied airlines into the Swim-Wal. The SwimWall is then locked into the upright position against the pool side, allowing quick and simple pool division for multiple activities.

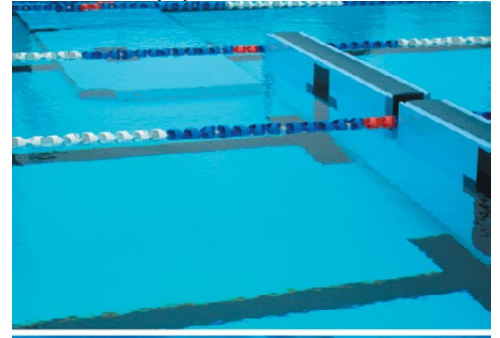
The ability to span either half or all of the pool means even greater flexibility for pool programming.

The Submersible Swimwall is produced from FRP with internal buoyancy to permit manual operation using supplied air lines. Vertical walls of the bulkhead are supplied with target markings in accordance with Fina regulations.

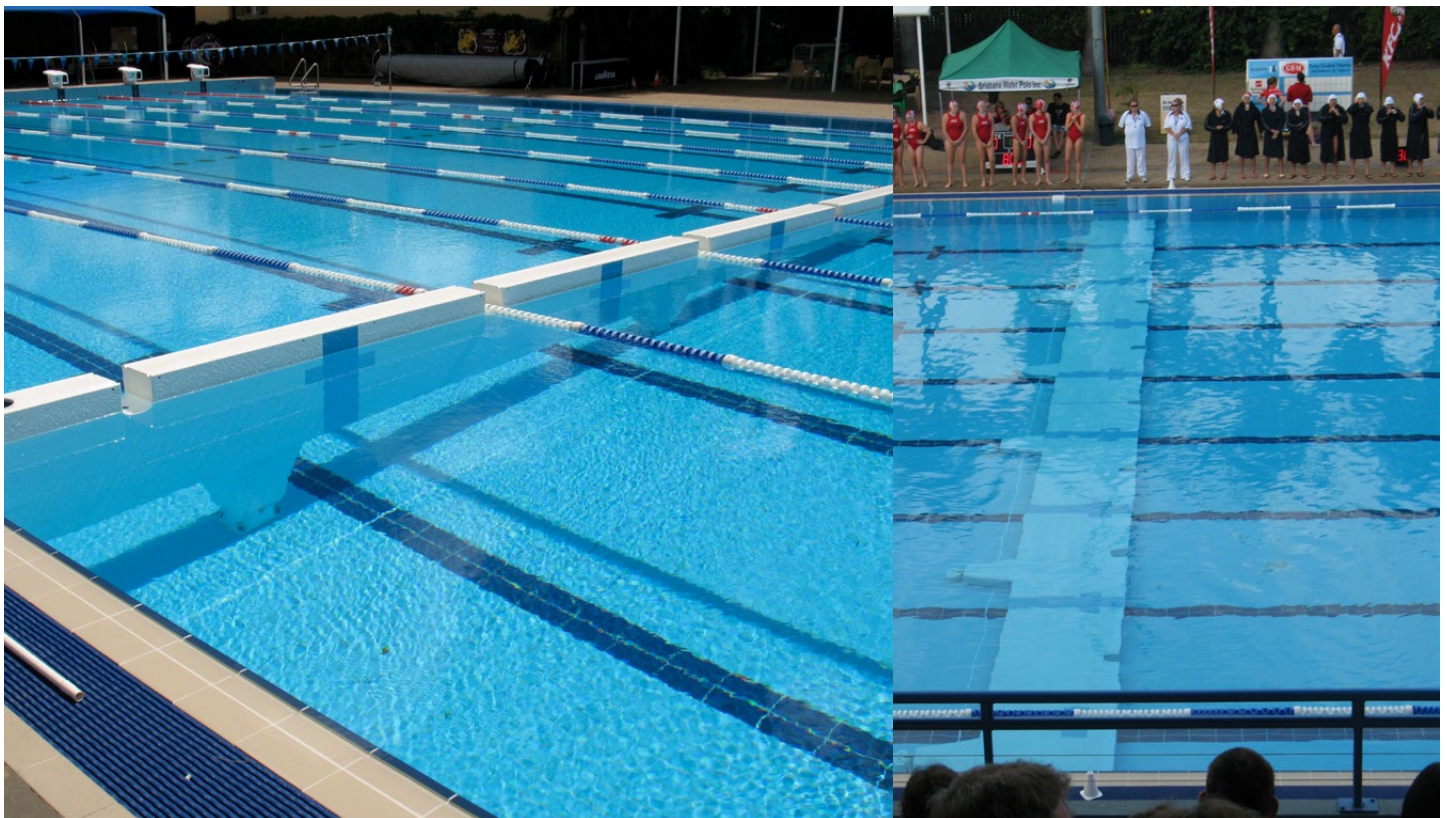
Provision is made for lane ropes to pass through the bulkhead as required, and for the connection of lanes to the Swimwall.

Please enquire for an information package or visit www.anti.to

Locked in 'up' position



In 'lowered' position on pool floor



Anti Wave Submersible SwimWall, ultimate programmability for all pools

Hitec EndWall

The Anti Wave Hitec Endwall is designed to provide a safe and efficient means of managing competition and fitness swimming in an overflow or 'wet deck' pool environment. Our advanced Pultruded FRP End-Wall is chemical and UV resistant, and suitable for even the most demanding facility environments. Precision engineering and production ensure that FINA/World Aquatics tolerances are strictly maintained.



Anti Wave Hitec EndWall System:

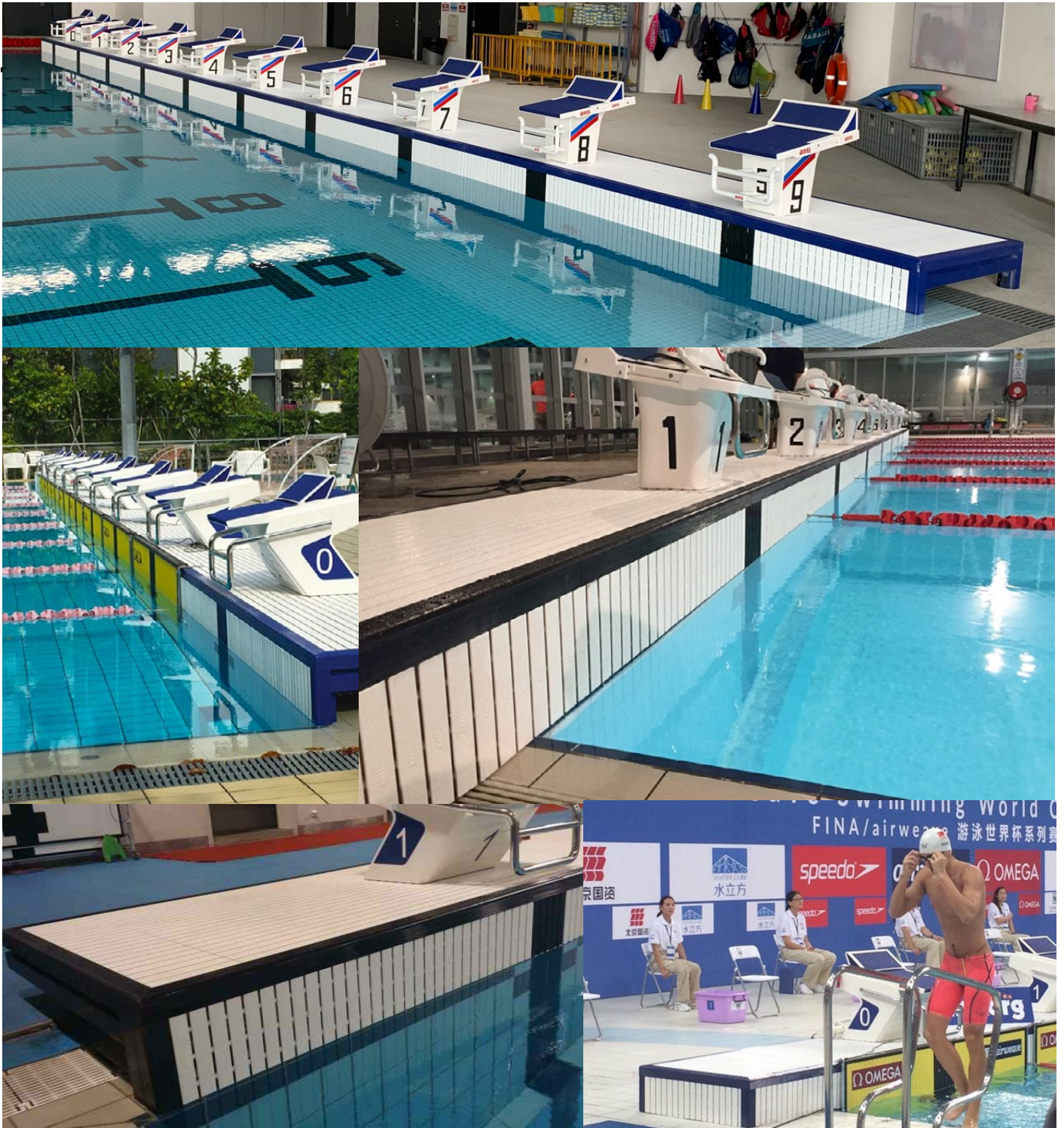
Suitable for competitive and training facilities, complies with FINA/World Aquatics Regulations. Enables the installation of starting blocks and timing equipment in overflow type pool environments.

- No exposed metal components
- Constructed from non-corrosive extruded Fibre Reinforced Plastics (FRP).
- Simple, modular assembly and installation
- No earthing required
- FINA/WA approved, suitable for competition
- Enables the installation of starting blocks and timing in overflow pool environments
- Manufactured using UV inhibitors for outdoor use
- Gratings on top and sides ensure quick and easy cleaning of the channel with EndWall in place
- Non-slip removeable Polypropylene gratings maintain pool deck water movement
- 316 stainless steel fixings (internal)
- Can be used with all popular timing systems including Omega, Daktronics and Colorado
- Custom engineered solutions for each facility
- Designed and tested in Australia

CODE	PRODUCT	DESCRIPTION	WEIGHT	VOLUME
AWE024	HI TECH ENDWALL	White Extruded Plast 2.5m x 1m x 0.3m	TBA	TBA

Hitec EndWall

Anti Wave Hitec EndWall around the world:



Anti Wave Hitec EndWall System - suitable for top competition and training facilities. World Aquatics compliant.

CODE	PRODUCT	DESCRIPTION	WEIGHT	VOLUME
AWE024	HI TECH ENDWALL	White Extruded Plast 2.5m x 1m x 0.3m	Please enquire	Please enquire

Modular FRP EndWall

Anti Wave EndWall - Modular FRP

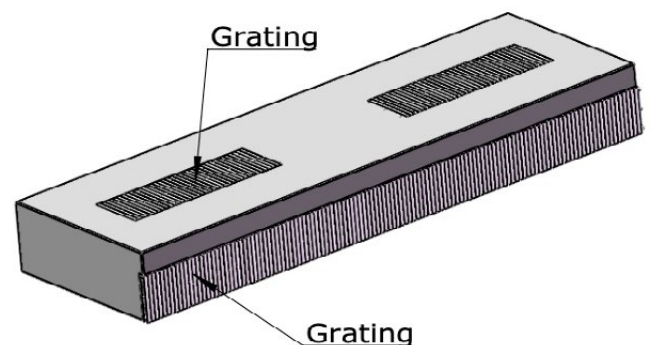
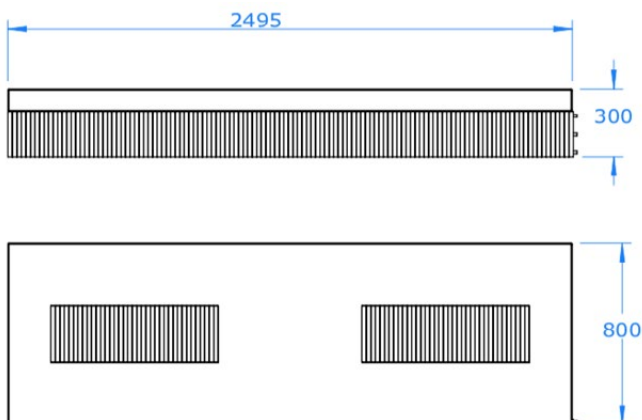


The Anti Wave Endwall is designed to provide a safe and efficient means of managing competition and fitness swimming in an overflow or 'wet deck' pool environment.

- Easy to install and simple to remove and store.
- Suitable for competition or training.
- Enables the installation of starting blocks and timing equipment in over flow pool.

- Movable gratings on sides ensure quick and easy cleaning of the channel with endwall in place.
- Can be used with most popular timing Systems and touch pads.
- Non-slip surface provides positive confirmation of the end of the pool to the swimmer as well as safe and speedy exiting of the pool.

Please contact us for more details.



CODE	PRODUCT	DESCRIPTION	WEIGHT	VOLUME
AWE023	FRP ENDWALL	White FRP 2.5m x 0.7m x 0.3m	60 kg	0.80m ³
AWE024	HI TECH ENDWALL	White Extruded Plast FRP 2.5m x 1m x 0.3m	100 kg	1.00m ³
AWE000	PLEASE CONTACT US	FOR FURTHER DETAILS	-	-

Leisure Equipment

Frog Slide

Friendly and welcoming - the best frog ever made. The Frog Slide is a proven and safe attraction for children and can be placed in the wading pool or on the pool deck.

- No water flow required
- Material : GRP
- Dimensions : 1.8m wide, 3.8m deep and 1.9m in height.



Water Pole

Tipsy-Turvy buckets fill with water and spill over each other in an active water feature full of colour and surprise.

- Produced from rust-free advanced composite plastics.
- Water flows up the central pole and down the radial arms
- Water Flow: 1.5 L/s
- Feeder Pipe diameter: 20-50mm
- Dimensions : Approximately 3.1m high
- Bucket Capacity: 7L



Top, Anti Wave Frog Slide • Below, Water Pole

CODE	PRODUCT	DESCRIPTION	WEIGHT	VOLUME
AWE046	FROG SLIDE	1.9m High, FRP Construction	180 kg	12.86m ³
AWE024	WATER POLE	With Flip Cones, 4m High	53.7 kg	0.44m ³
AWE048	RAINDOME 1200mm	1200mm Diameter FRP	60 kg	2.0m ³
AWE049	RAINDOME 1600mm	1600mm Diameter FRP	75 kg	3.0m ³
AWE050	RAINDOME 2000mm	2000mm Diameter FRP	90 kg	4.0m ³

Anti Wave Global Pty Ltd

Since 1972 Anti Wave products and designs have been exported to over 150 Countries around the world, and have continued to set the global standard for top performance innovation, design and product quality.

Anti Wave has a widespread and growing Global network of Authorised Distributers and Resellers, offering the most comprehensive and professional service and dependable local advice and product availability.

Designed and tested in Australia, Anti Wave sets the highest standard in quality, service and innovation.

More information on all of our products can be found at www.anti.to or by email info@anti.to



When performance counts...



World leading durability and product quality, highest production specifications



Industry leading product innovation and development, working closely with top athletes and teams around the world



Comprehensive Global Network of Authorised Distributers ensure the highest level of customer service



Preferred supplier to the worlds top facilities and clubs, world renowned quality and innovation



Widest availability & distribution with an Authorised Distributer located near you



Designed and tested to tough Australian conditions for ultimate reliability

Global aquatics excellence

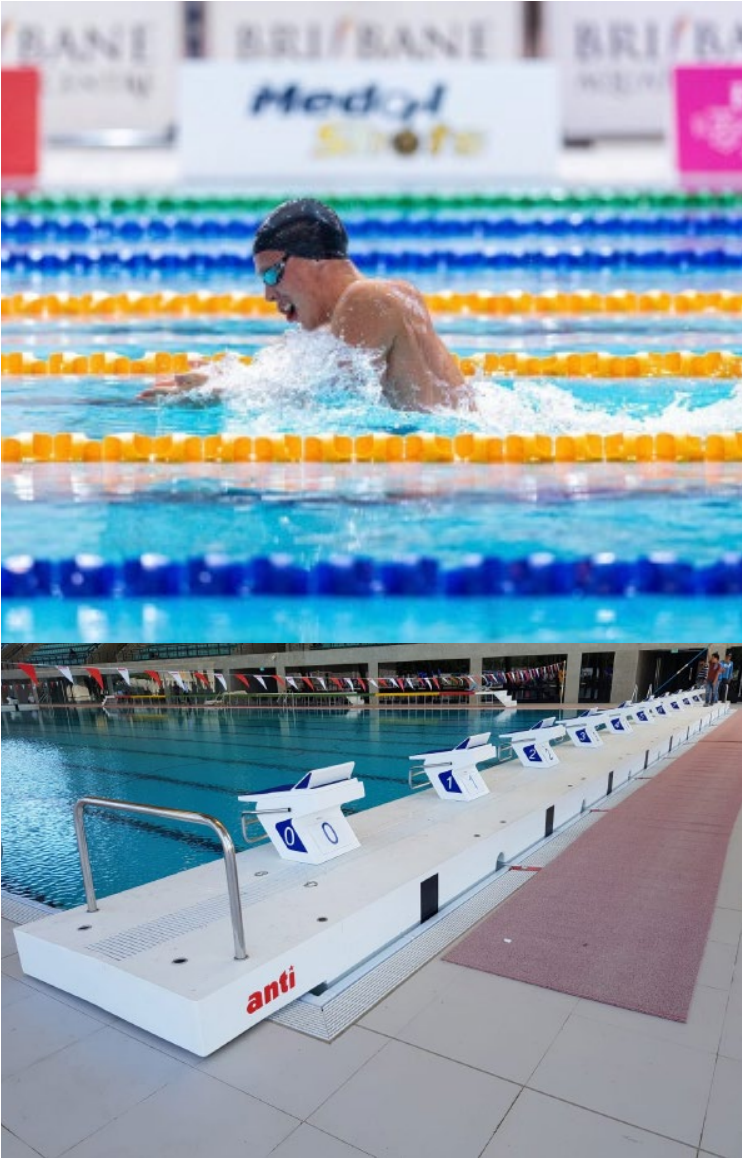
FINA World League Inter-continental Cup, Perth, Australia



Dubai College, Dubai, UAE.



Contact and Ordering Info



Anti Wave Global Pty Ltd

Visit us online at www.anti.to

Anti Wave Global Pty Ltd
Brisbane, Australia
Email : info@anti.to
Web : www.anti.to

Anti Wave holds the following international Patents:
2001285610, 7100219, 4048677. 01818714 and
2003/2920

© 2024 Anti Wave Global. All rights reserved.



Official Polo Field and Goals of USA Water Polo

Webshop: www.anti-wave.com
(Global Anti Goals and Backstroke Ledges)

Anti Wave has a global network of Authorised Distributors and Reseller around the world.

Contact us to find your closest Authorised Reseller, or if you would like to become an Authorised Reseller in your country.



Visit us on: